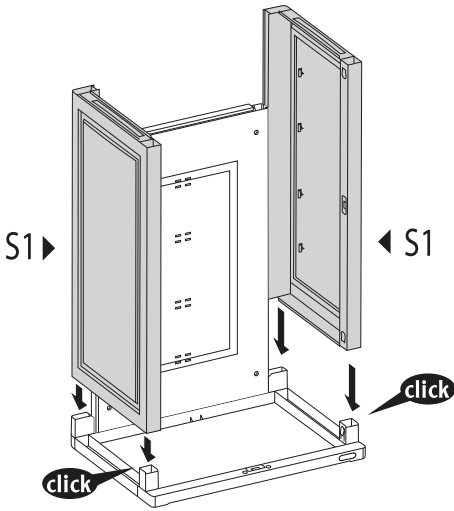
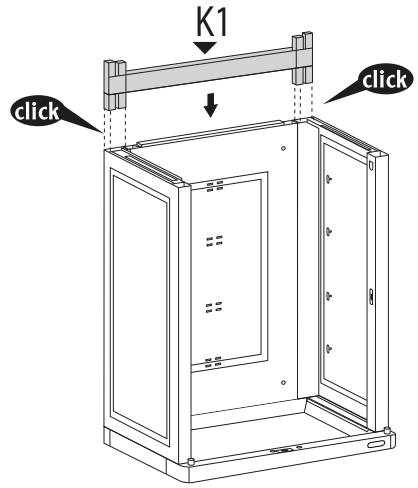


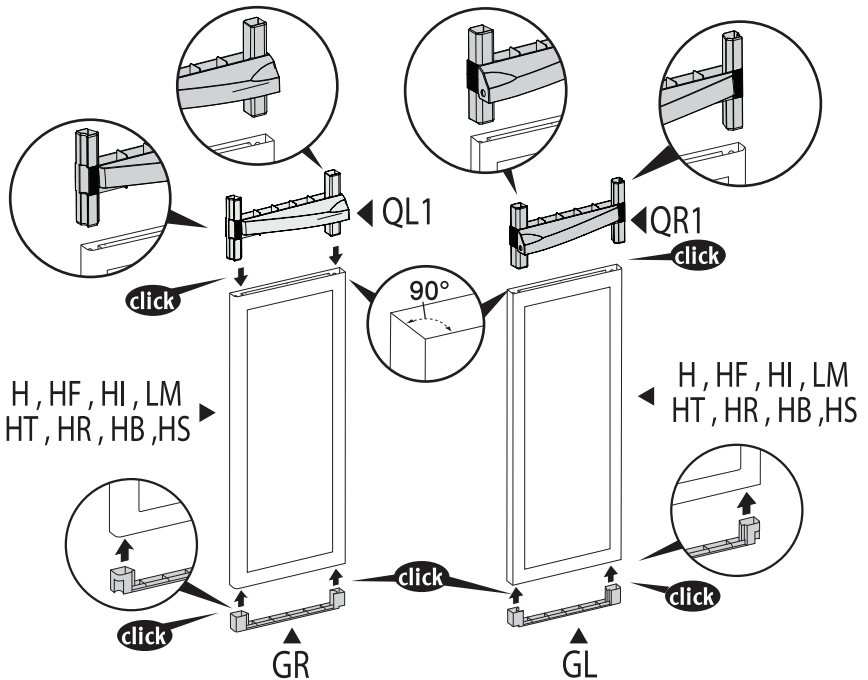
5



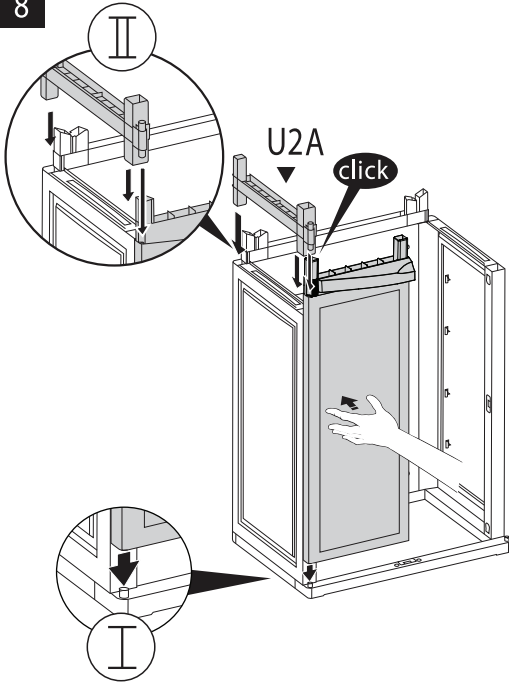
6



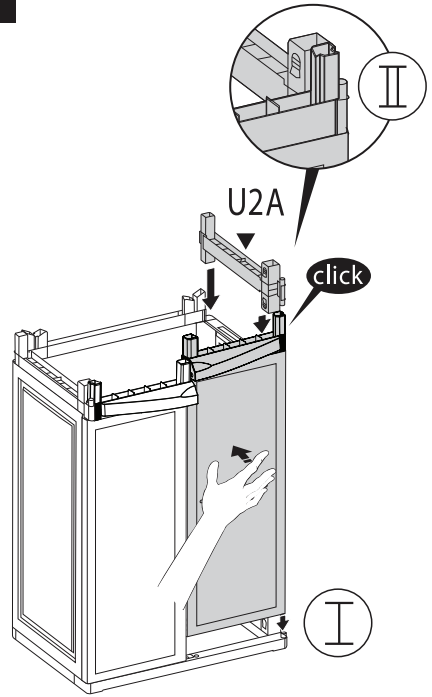
7



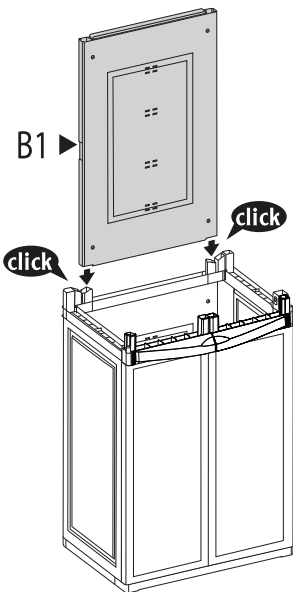
8



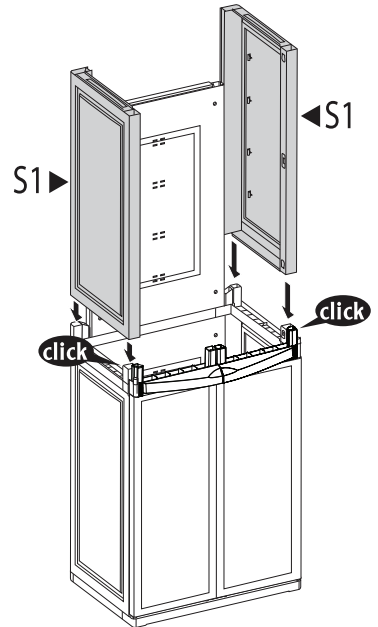
9



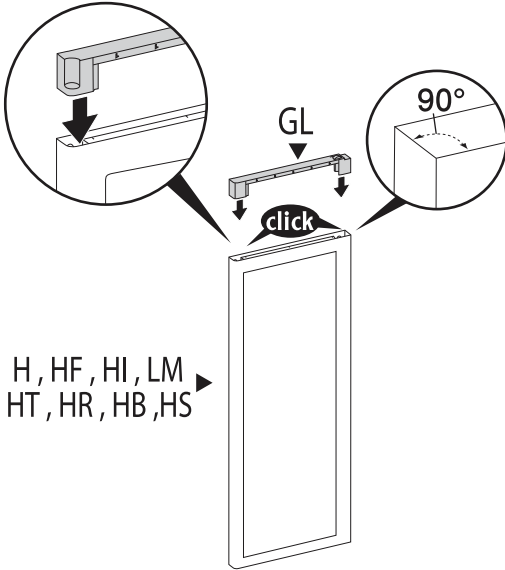
10



11

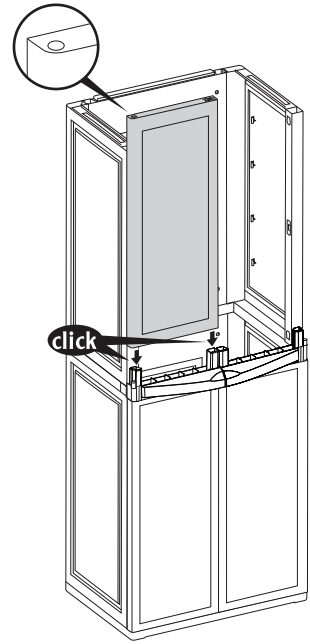


12

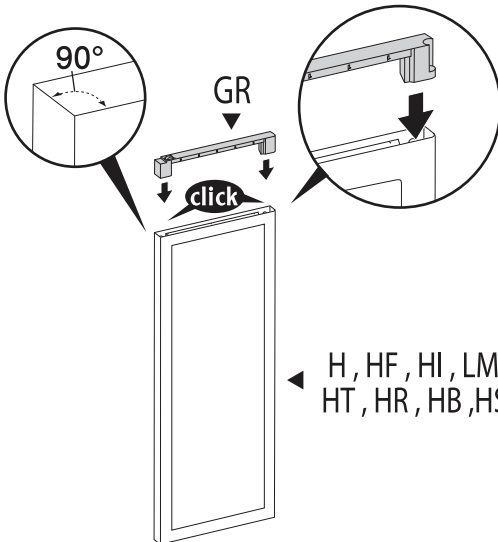


H, HF, HI, LM
HT, HR, HB, HS

13

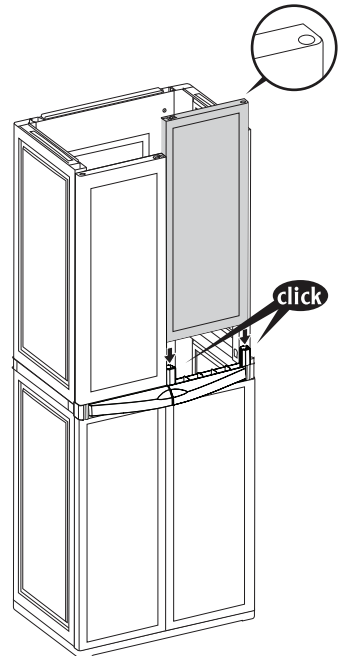


14

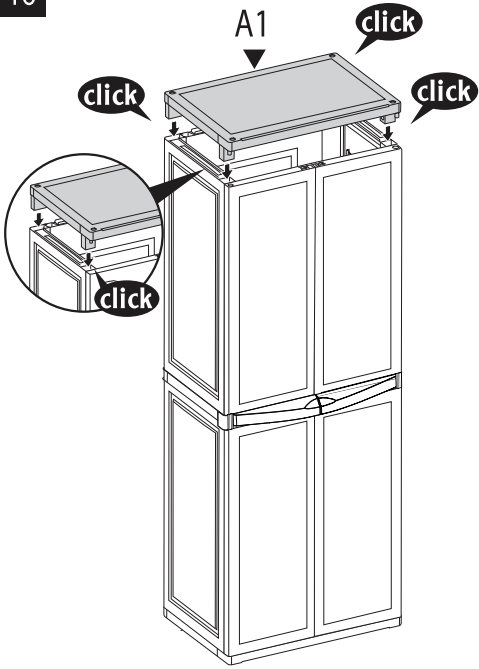


H, HF, HI, LM
HT, HR, HB, HS

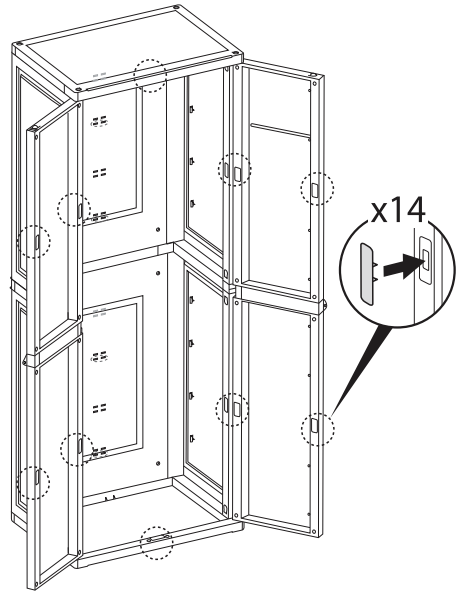
15



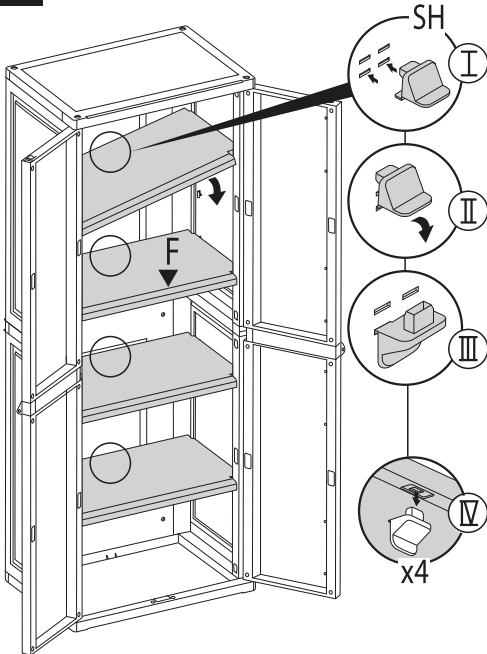
16



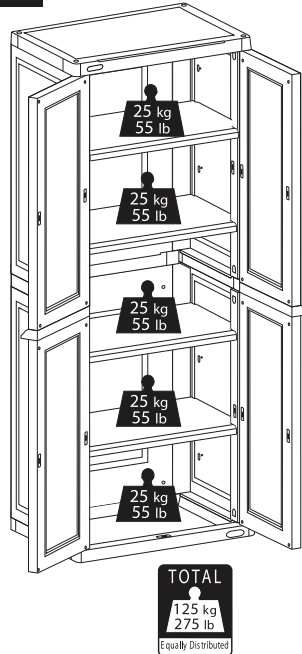
17



18



19



OPTIONAL

