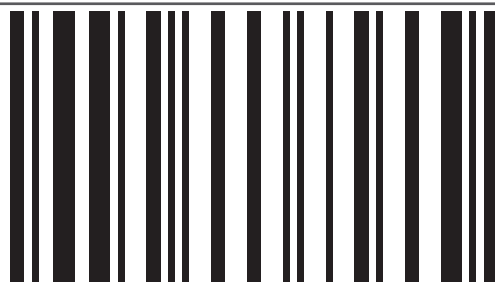
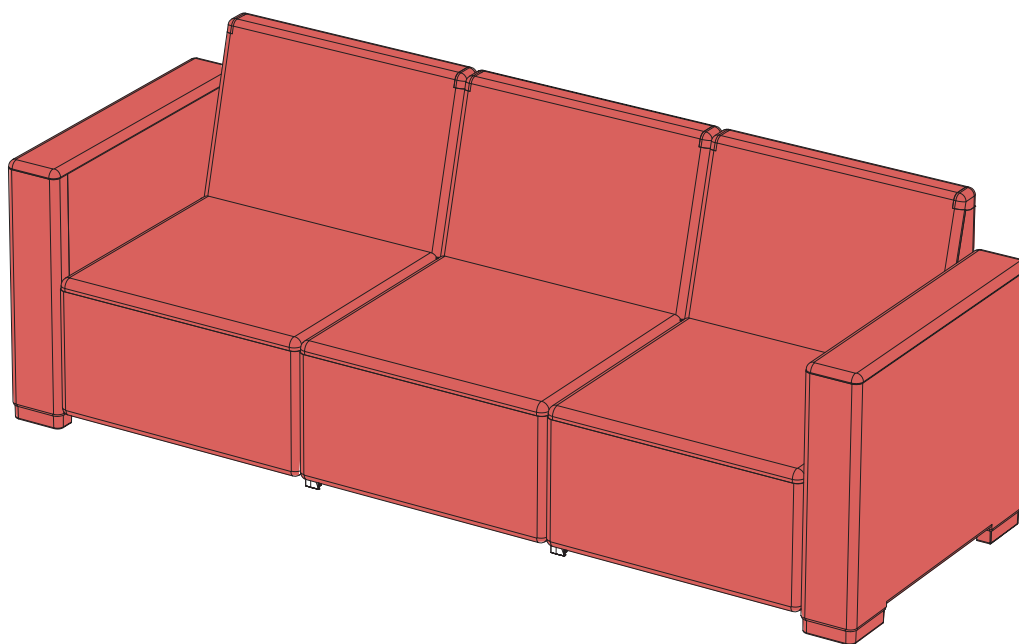


CALIFORNIA

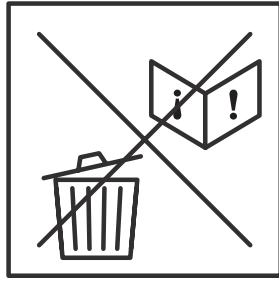
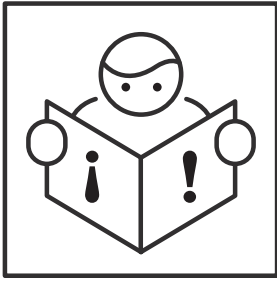
SOFA



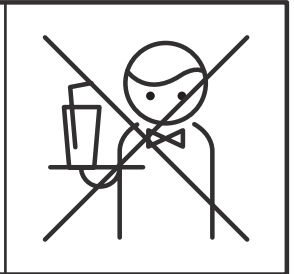
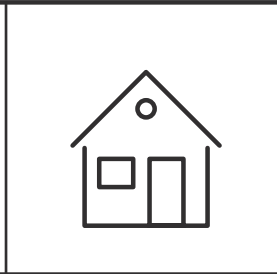
553340

Ericssonstraat 17 | 5121 MK RIJEN | The Netherlands | WWW.KETER.COM

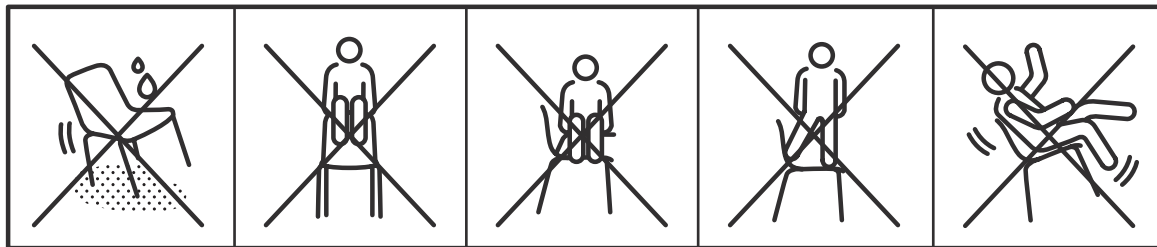
gpsr.ketereu@keter.com

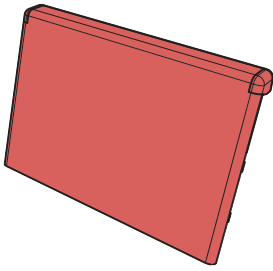


	<input type="checkbox"/> AMERICA
	<input checked="" type="checkbox"/> EUROPE
- Geprüfte Sicherheit - EN 581	

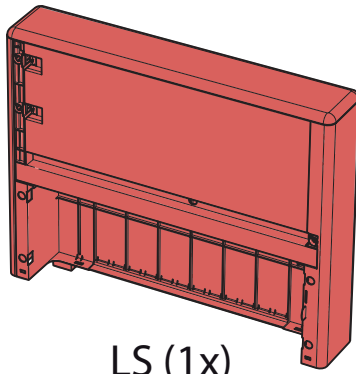


<p><40 °C >0</p>	<p><104 °F >32</p>	<p></p> <p>110 Kg MAX</p> <p>240 Lb</p>	
----------------------------	------------------------------	---------------------------------------------	--

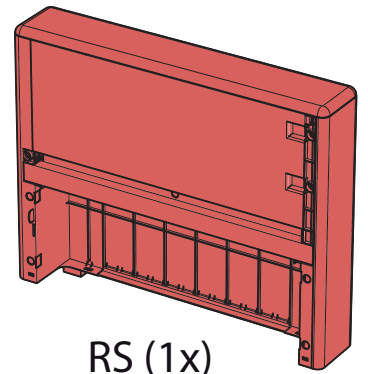




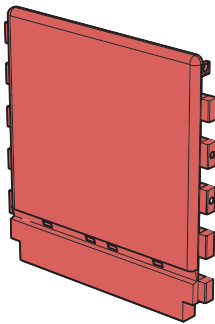
CB (3x)



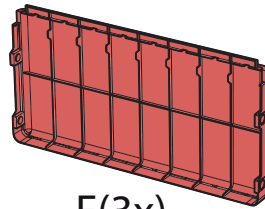
LS (1x)



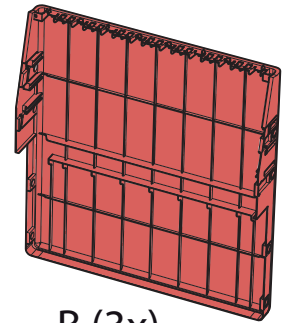
RS (1x)



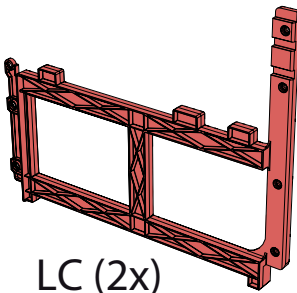
S (3x)



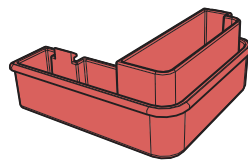
F (3x)



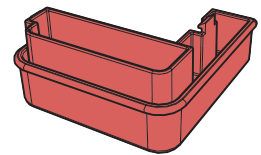
B (3x)



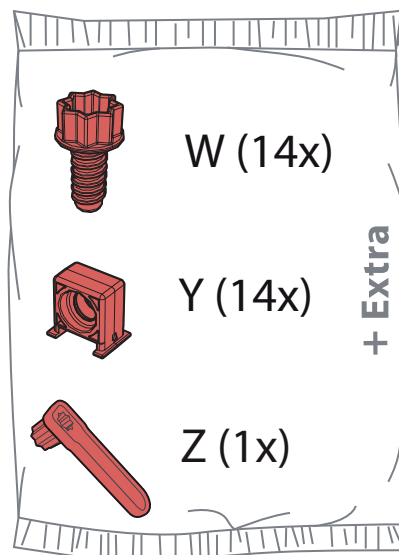
LC (2x)



AC (2x)



BC (2x)



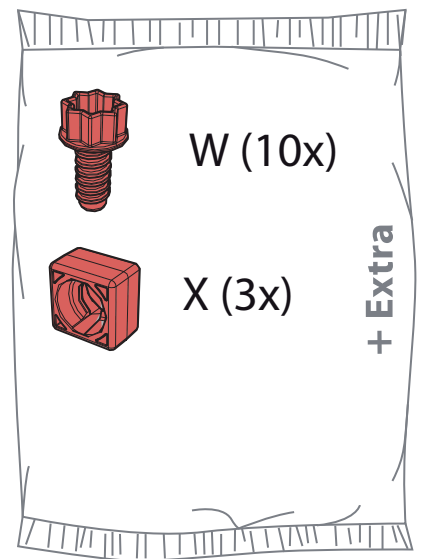
W (14x)

Y (14x)

Z (1x)

+ Extra

1x

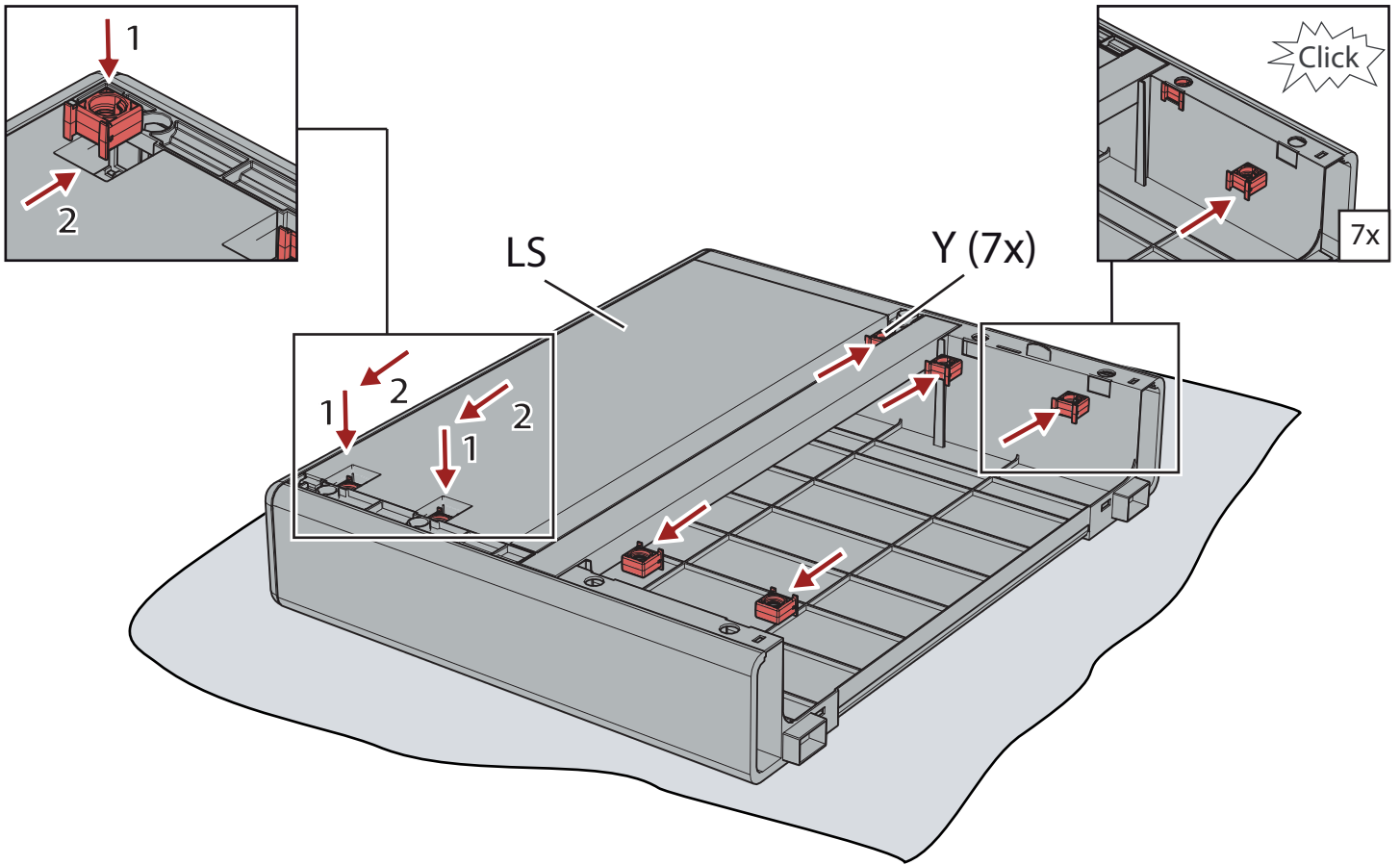


W (10x)

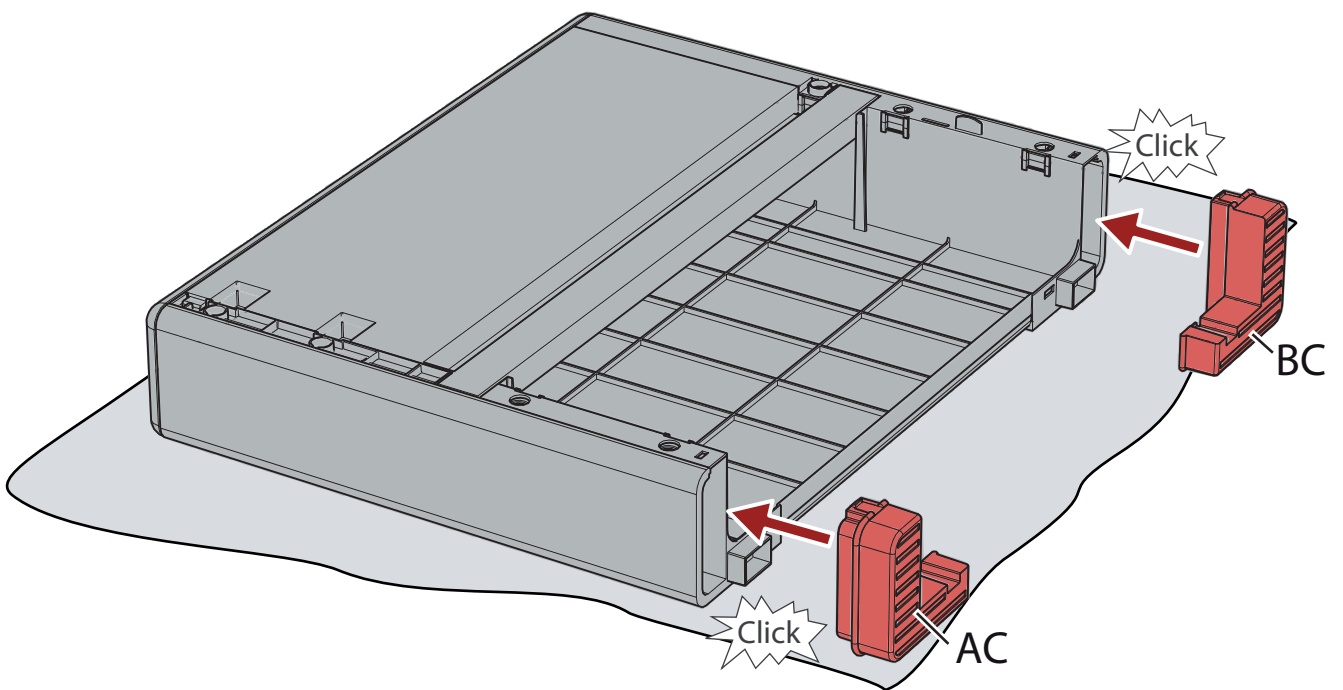
X (3x)

+ Extra

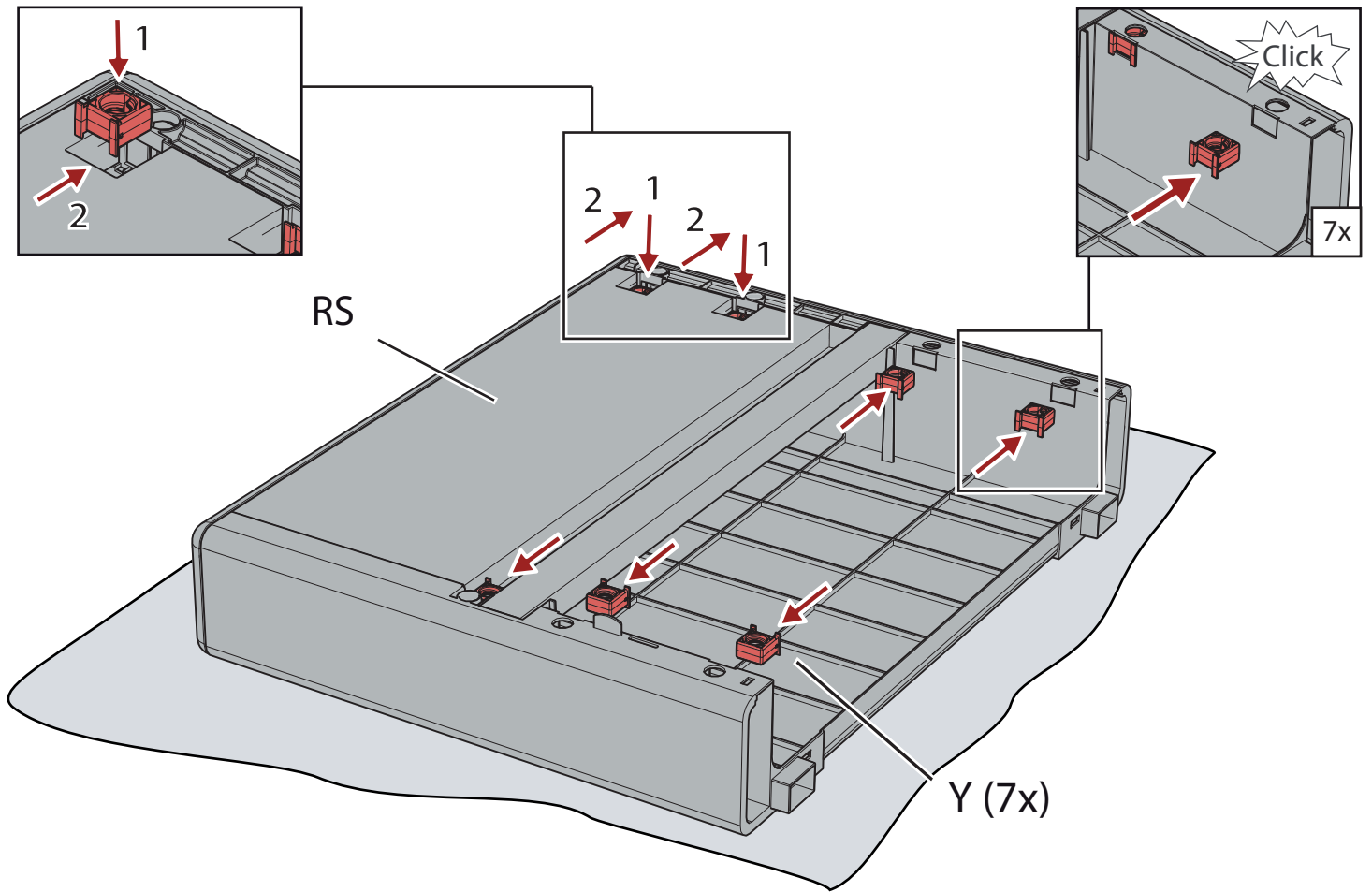
2x



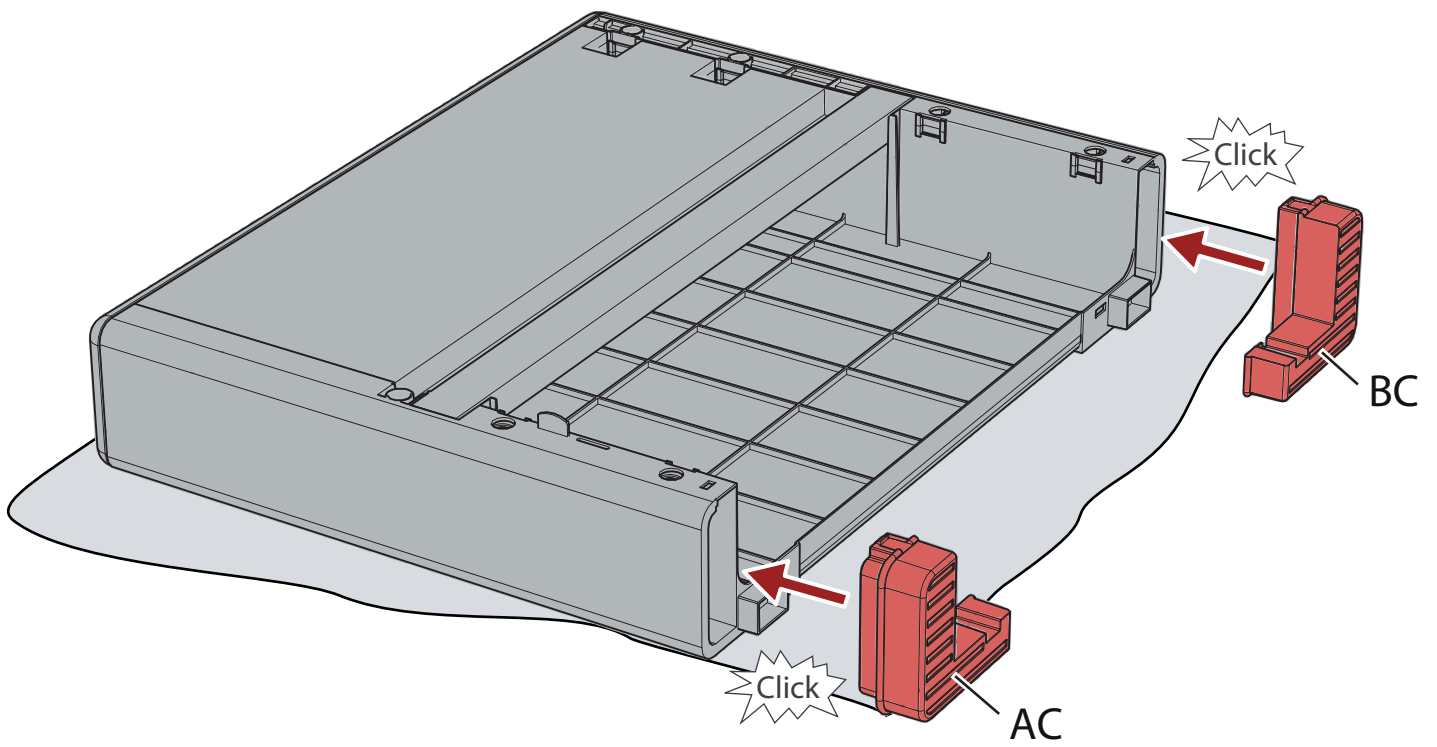
1



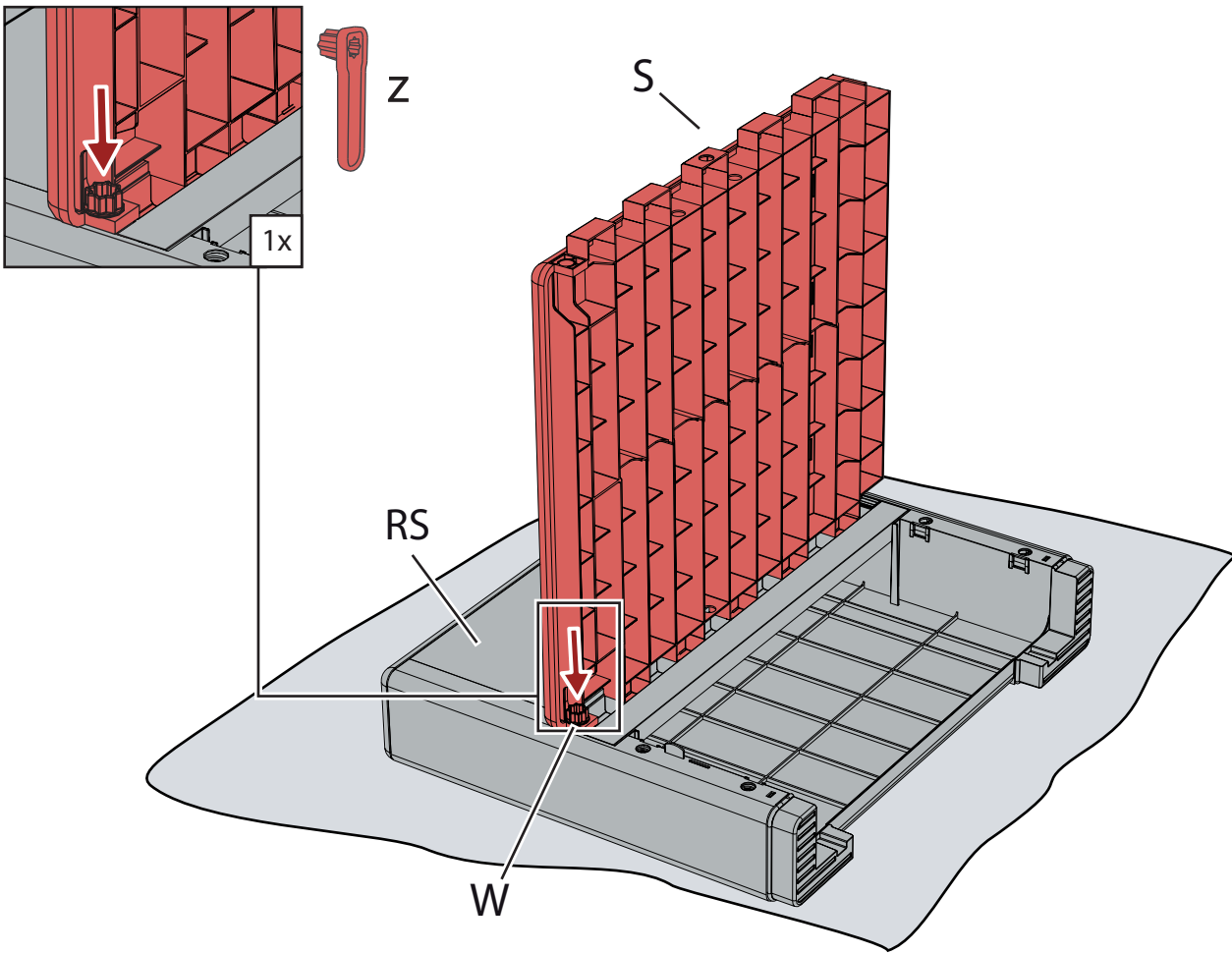
2



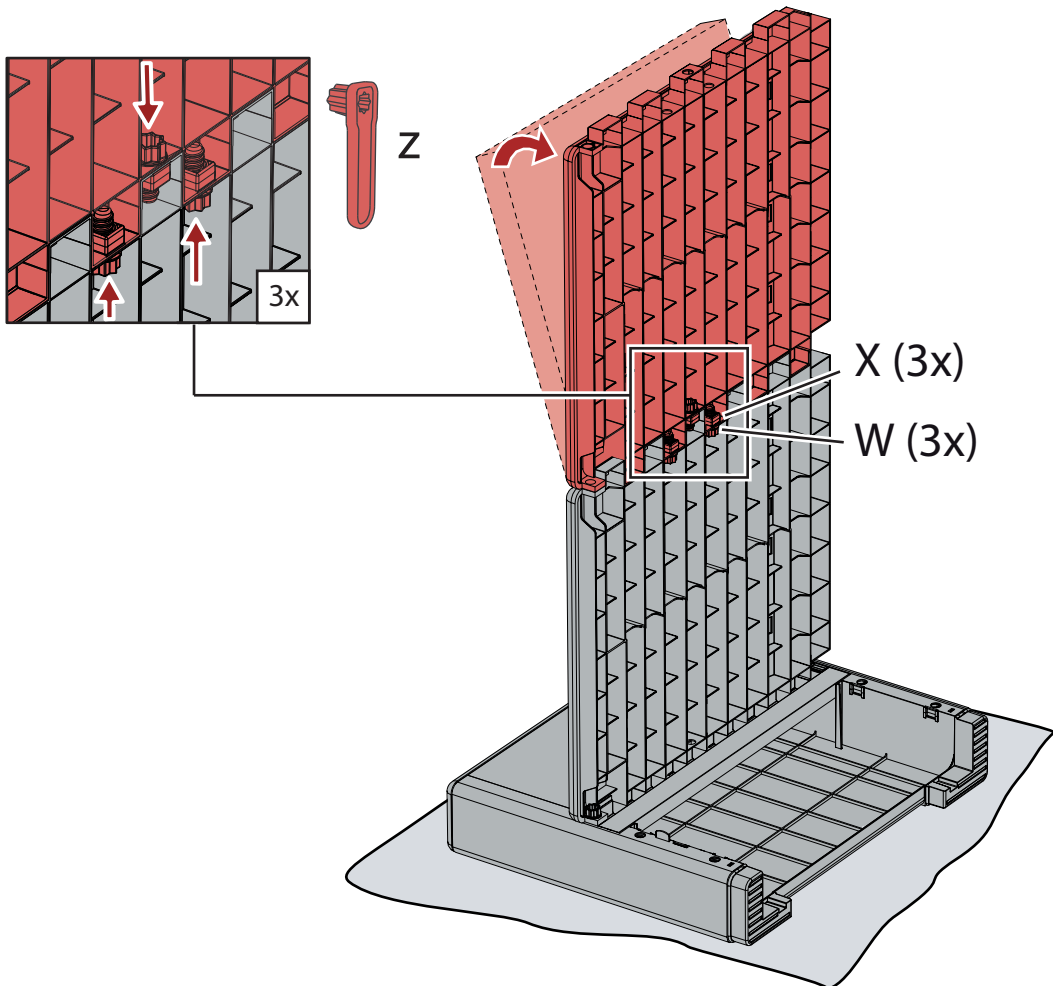
3



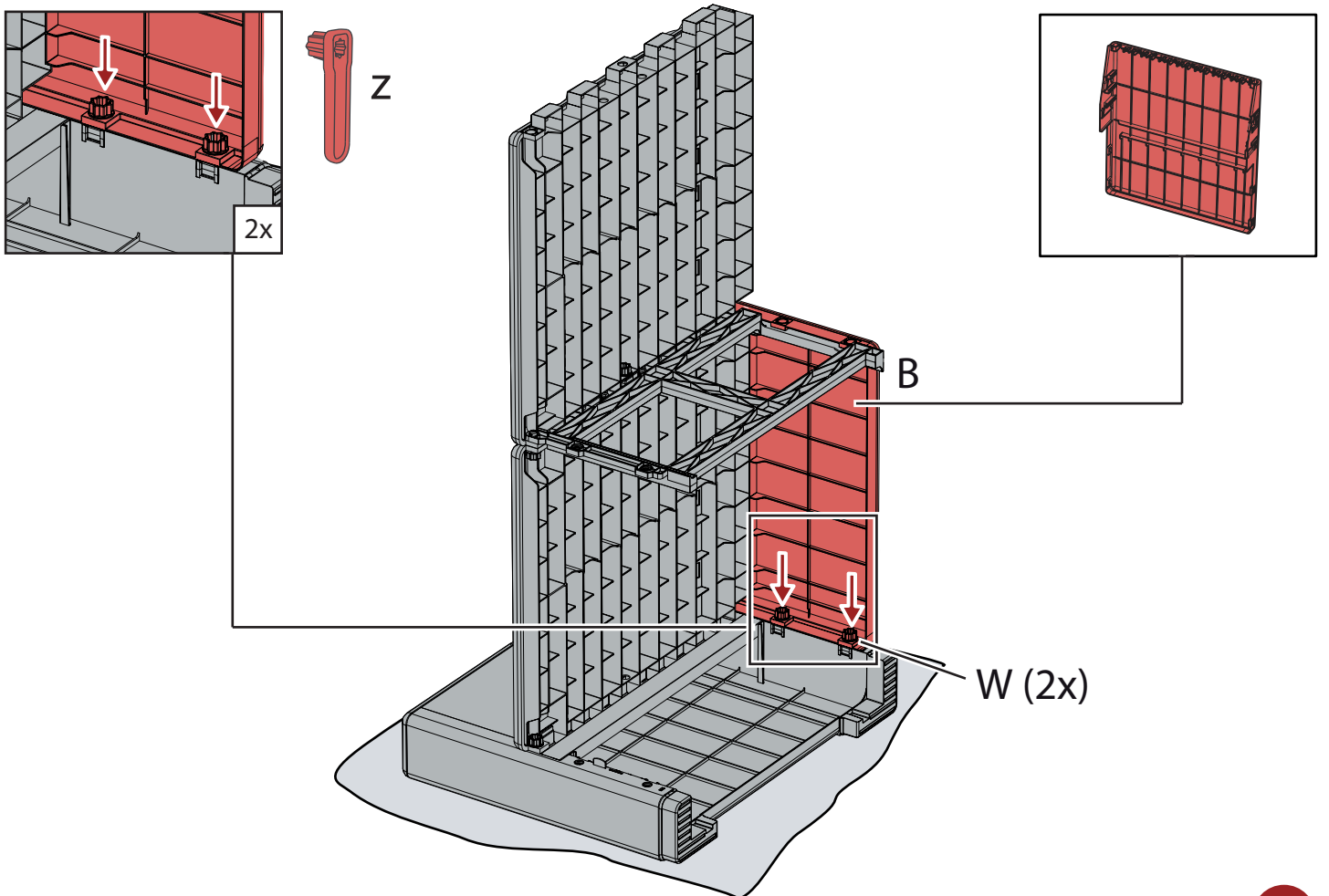
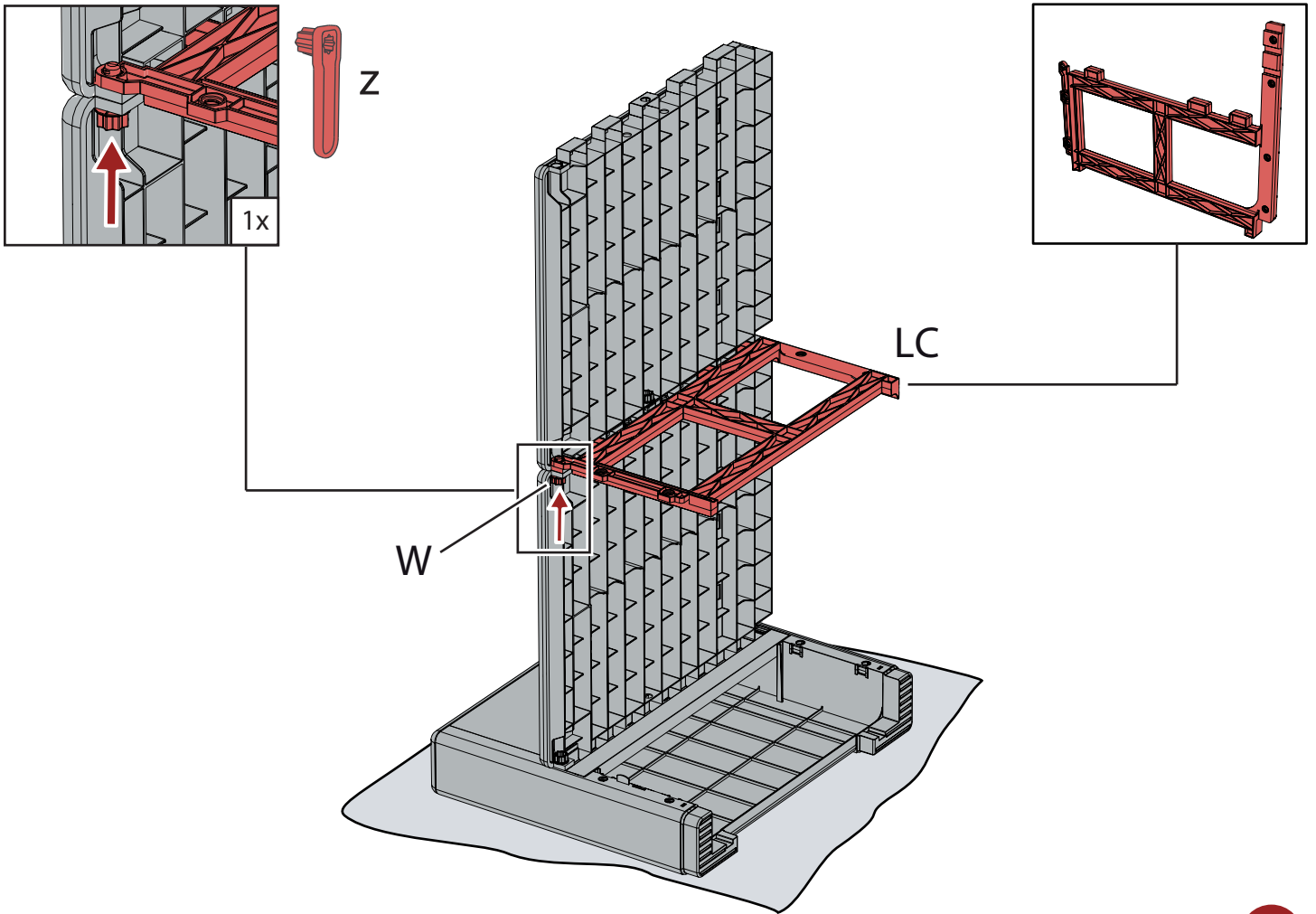
4

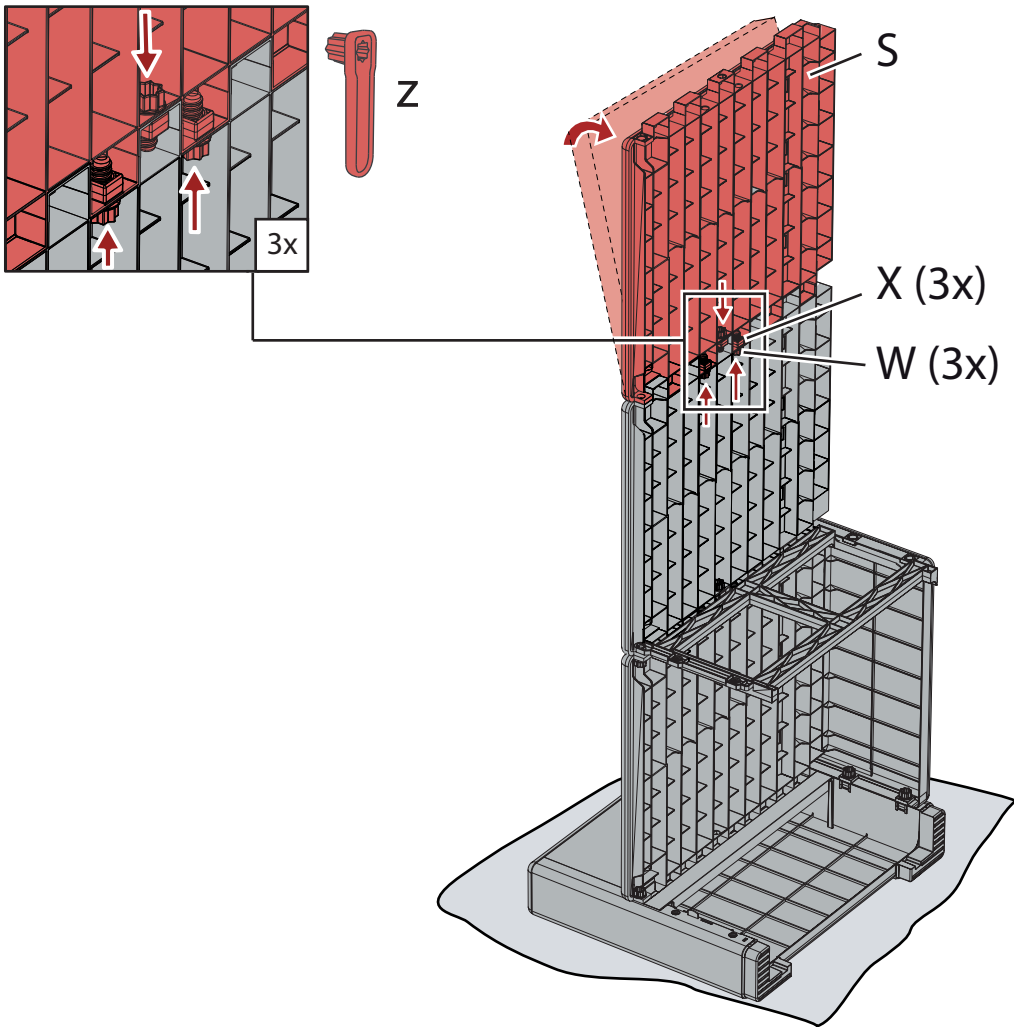


5

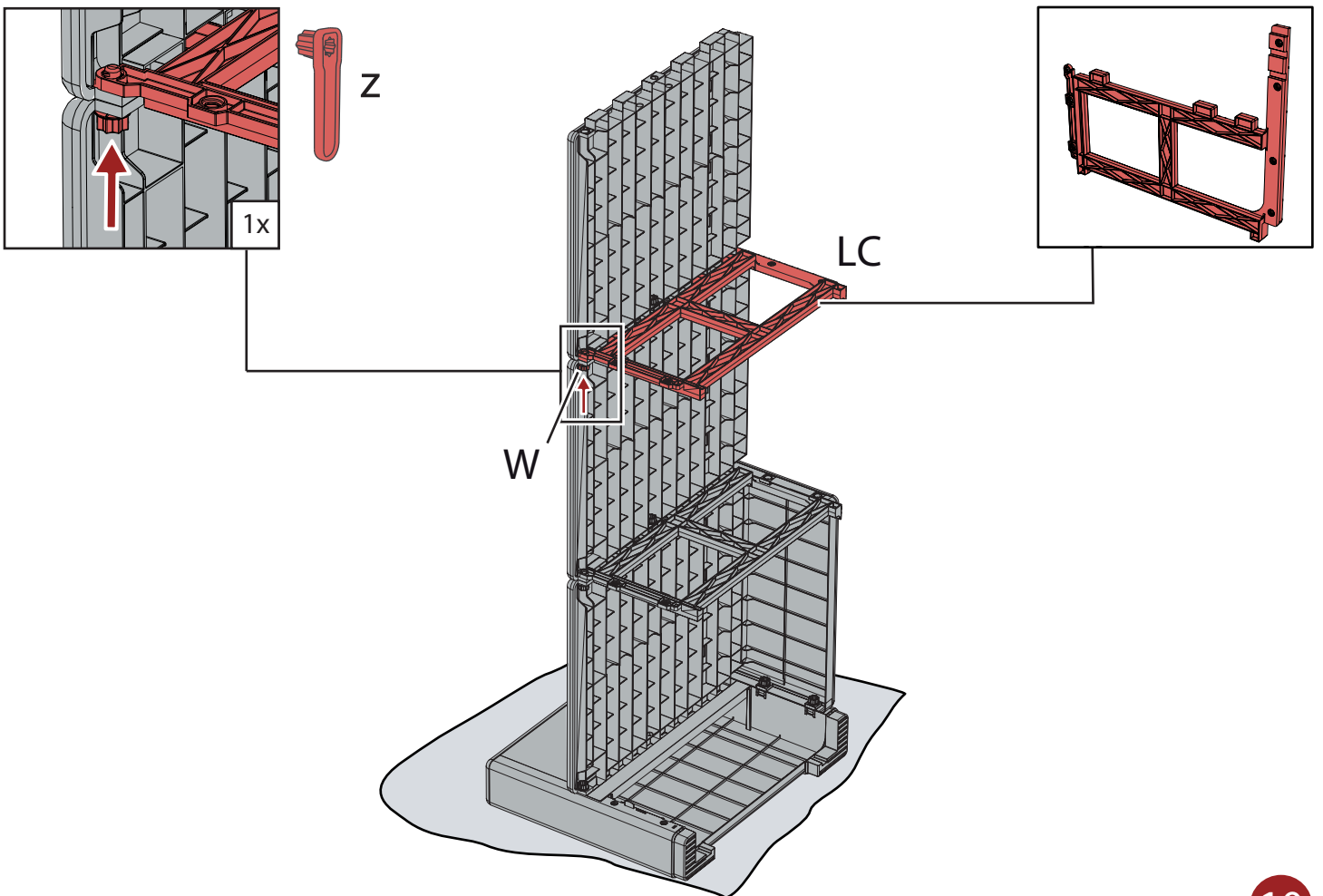


6

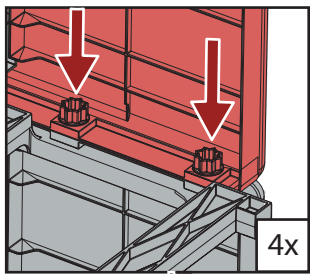




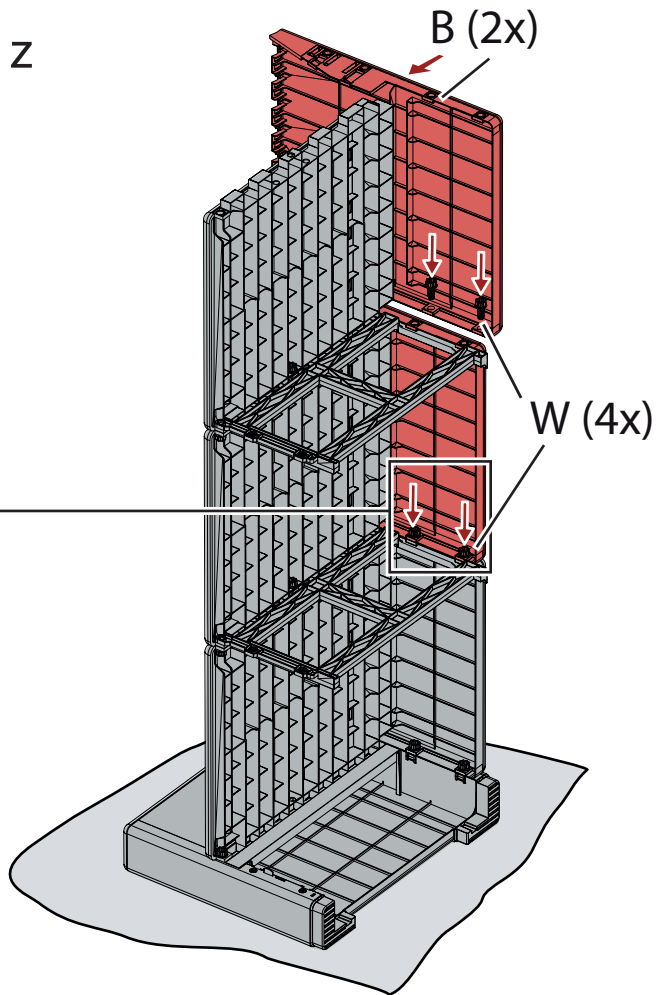
9



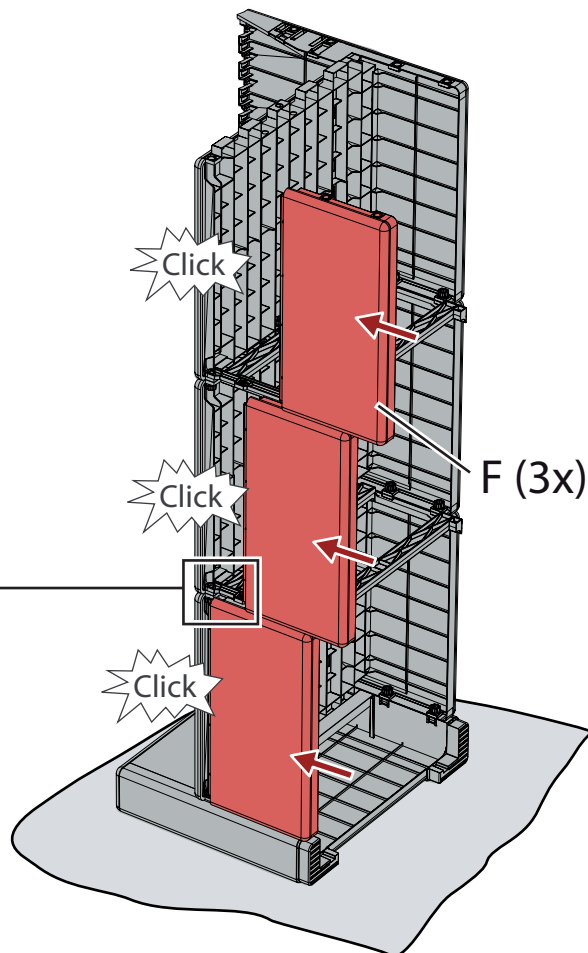
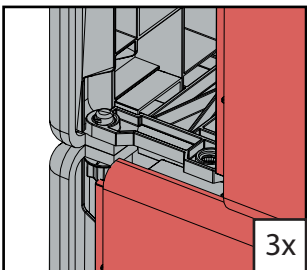
10



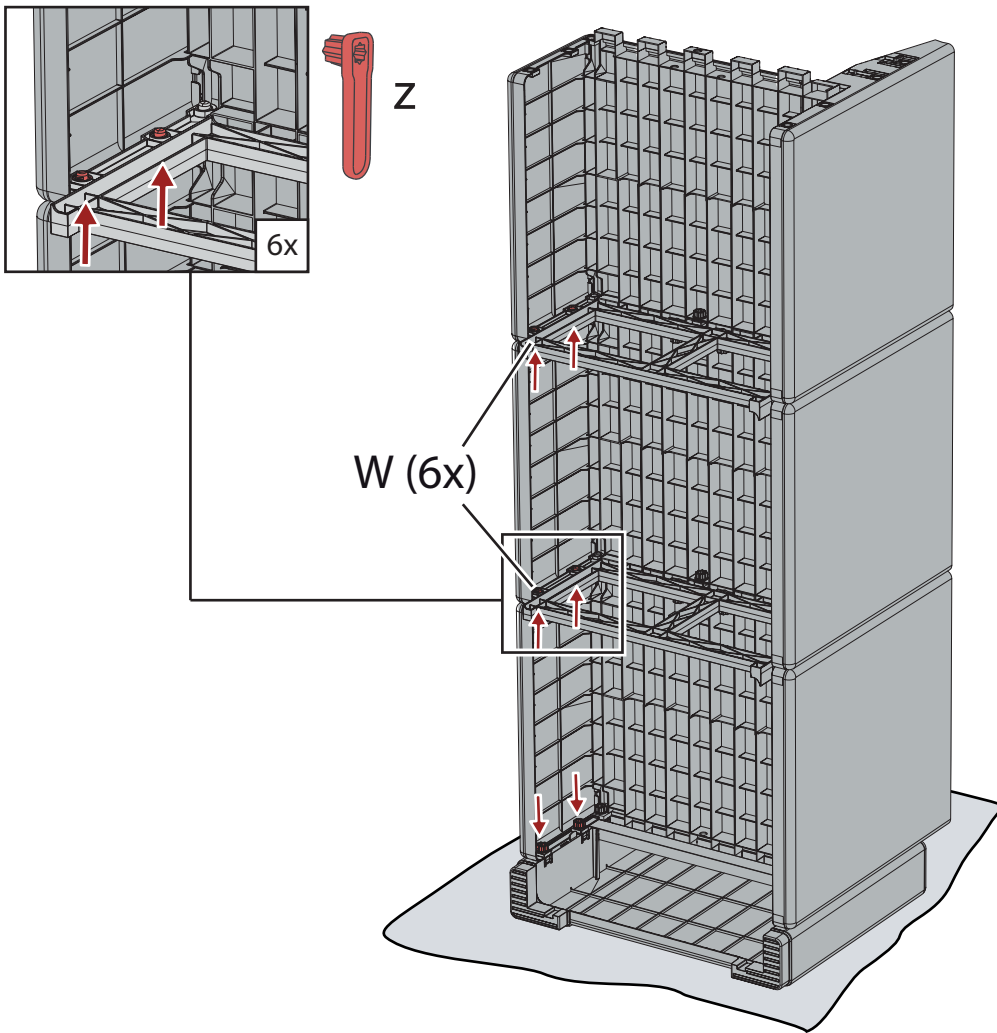
Z



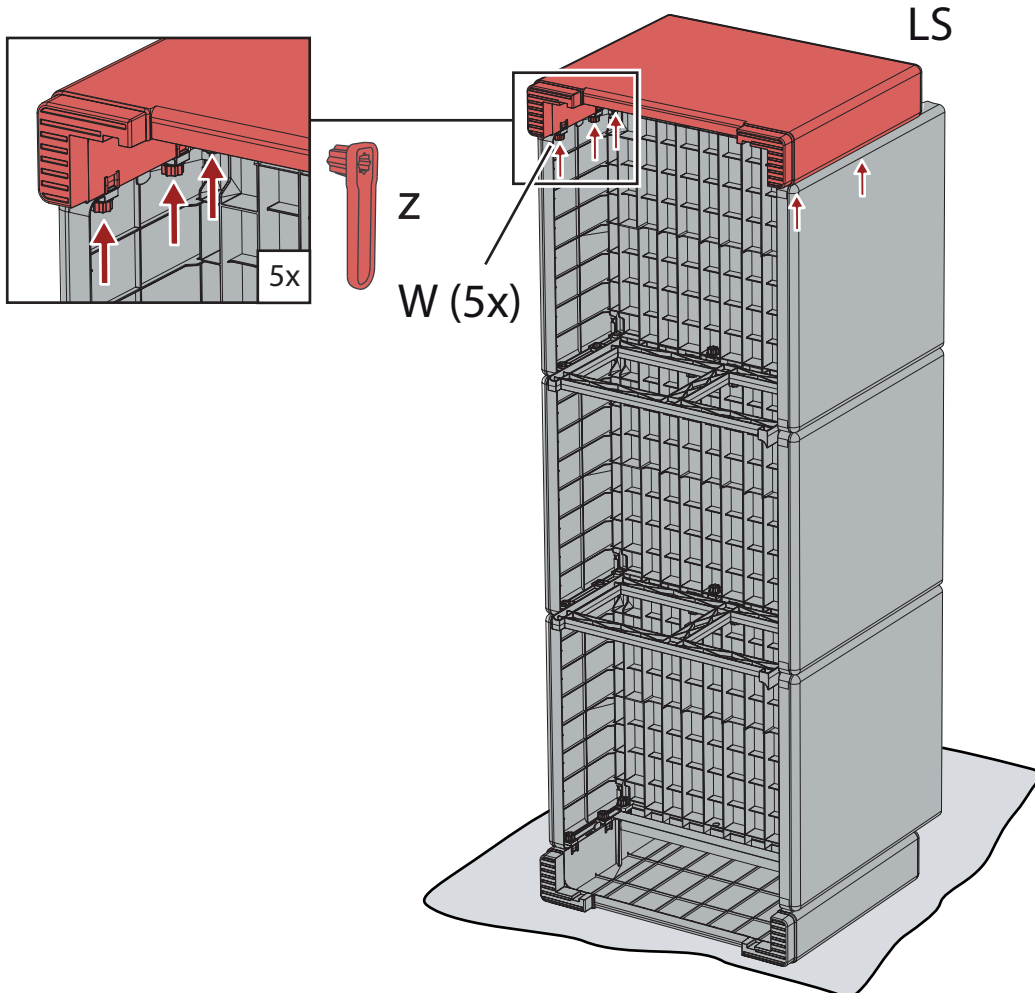
11



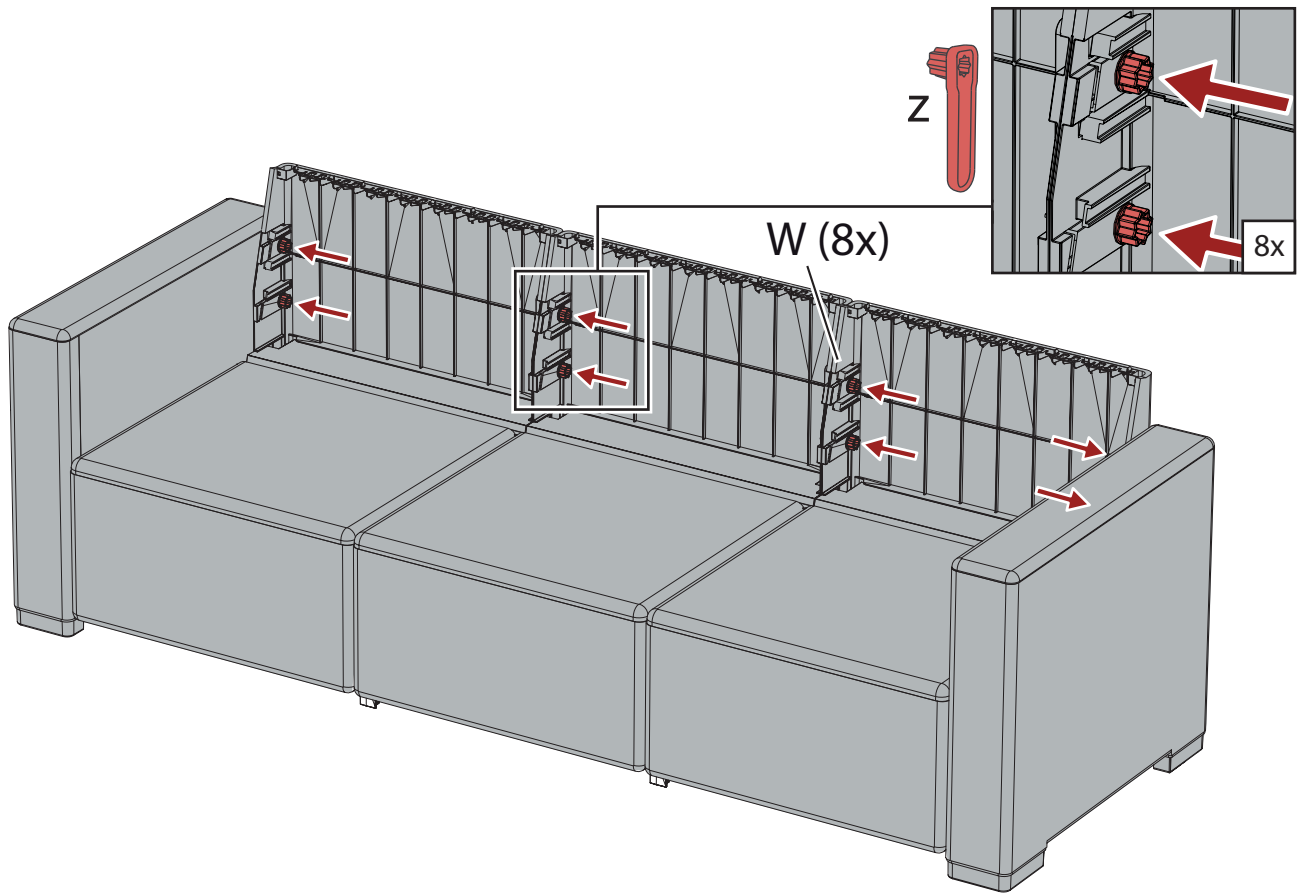
12



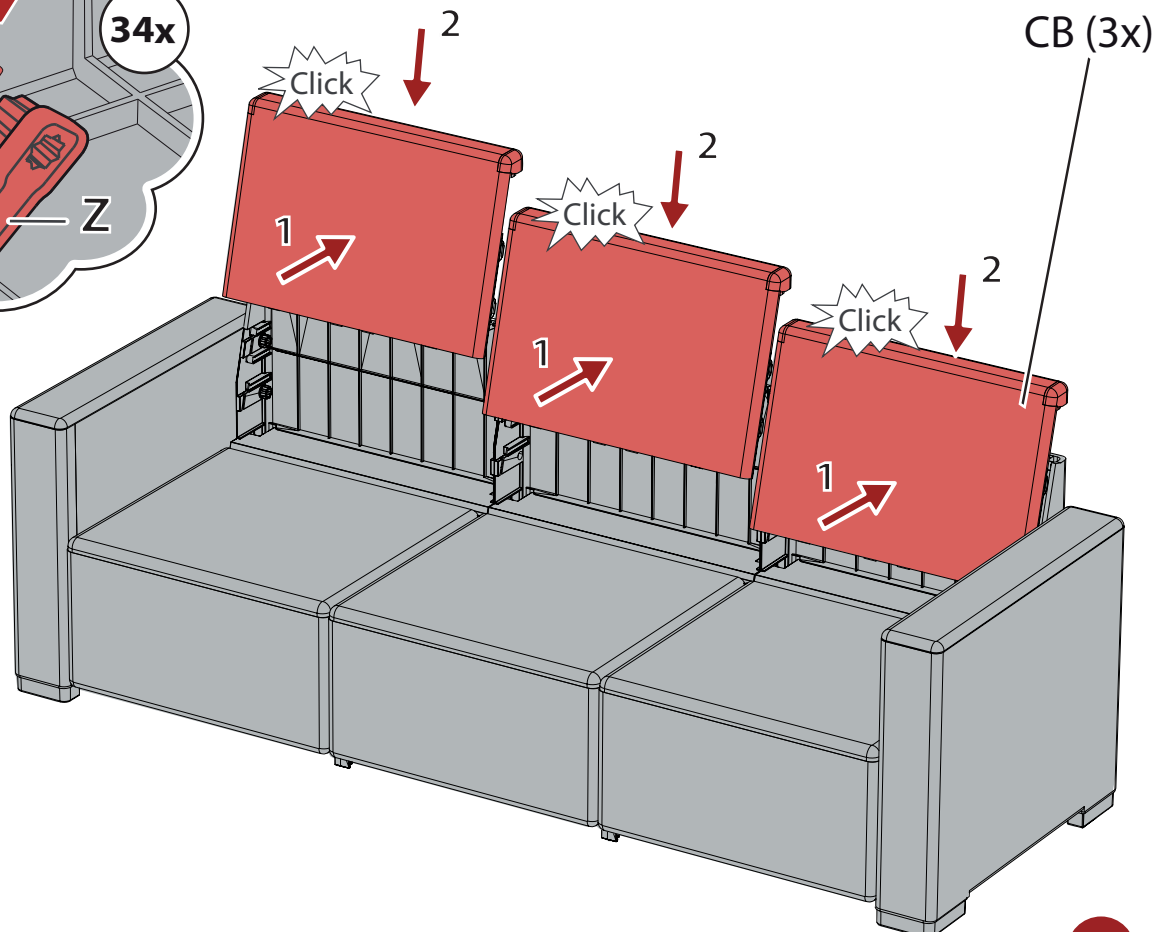
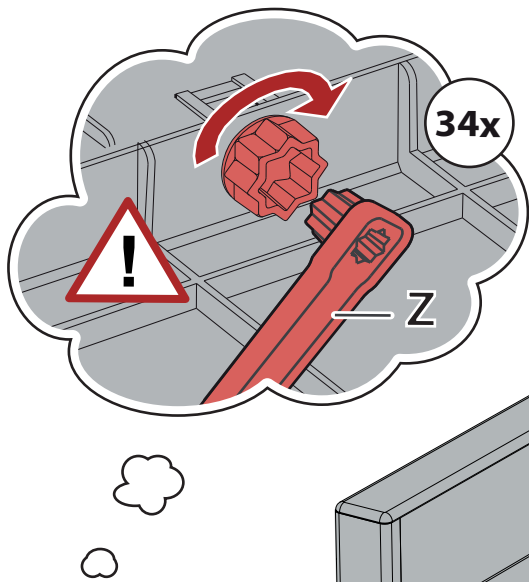
13



14



15



16

