

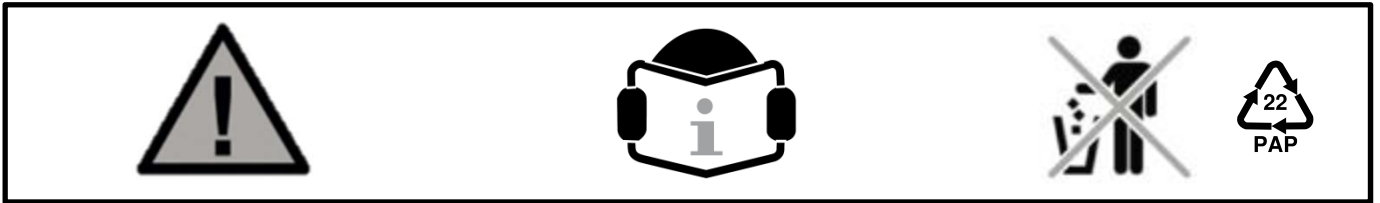
DINING CHAIR



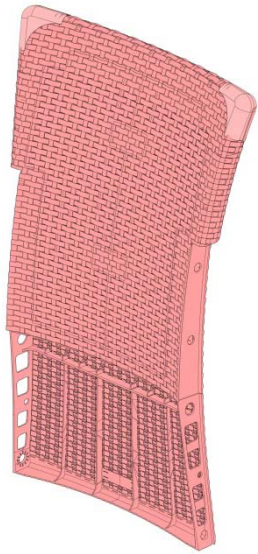
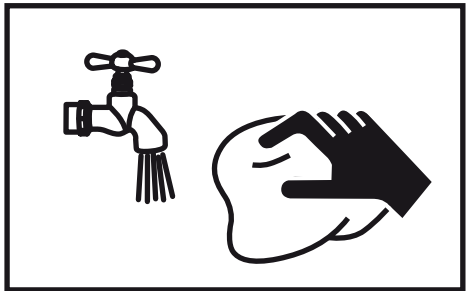
"DINING CHAIR" V10.6/ 568222 /442084



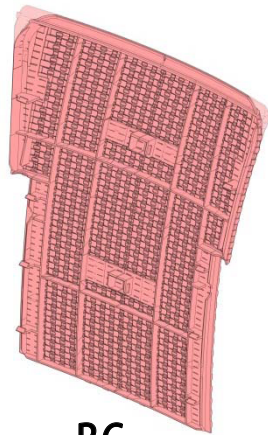
568222



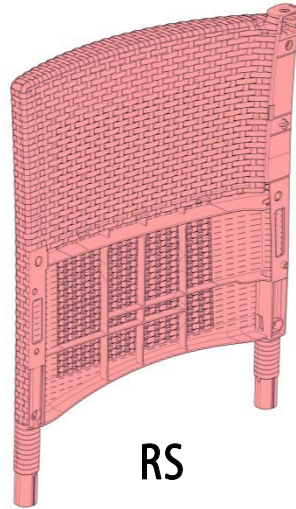
| NEN 581 | | |
|---------|---|---|
| | | |
| ✓ | ✓ | ✗ |



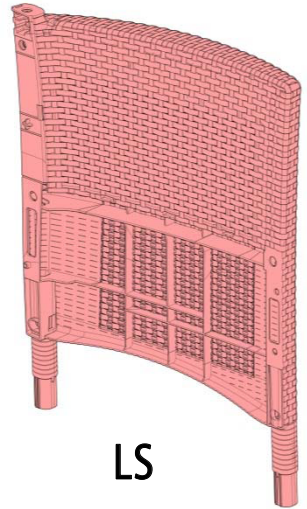
B



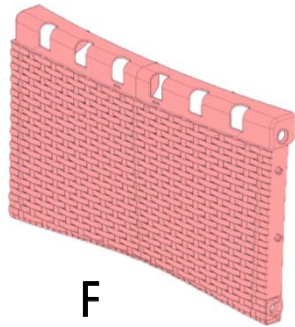
BC



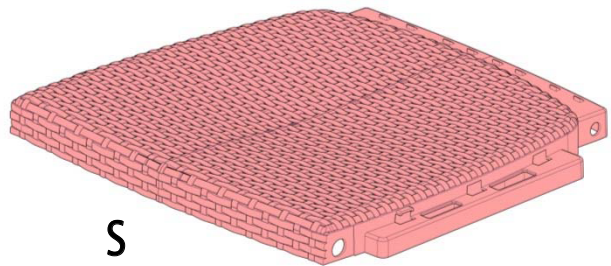
RS



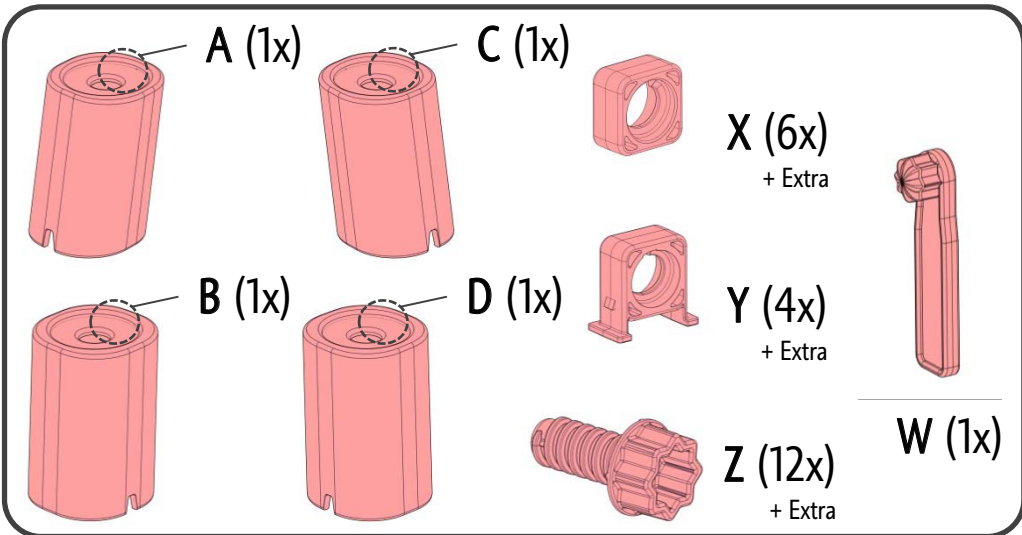
LS

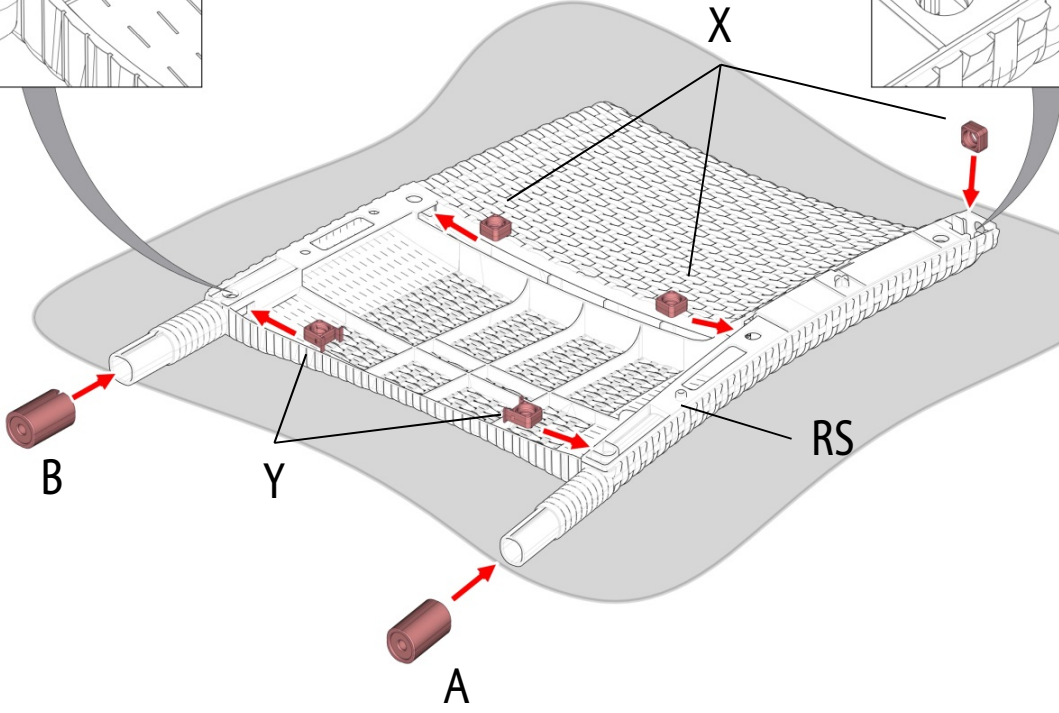
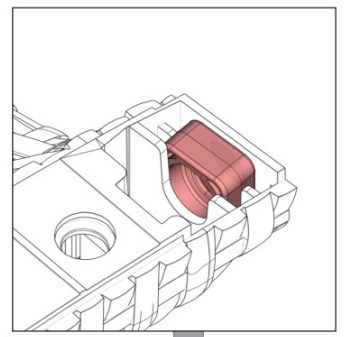
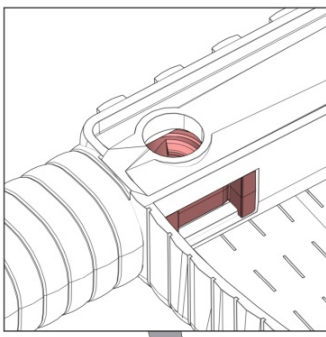


F

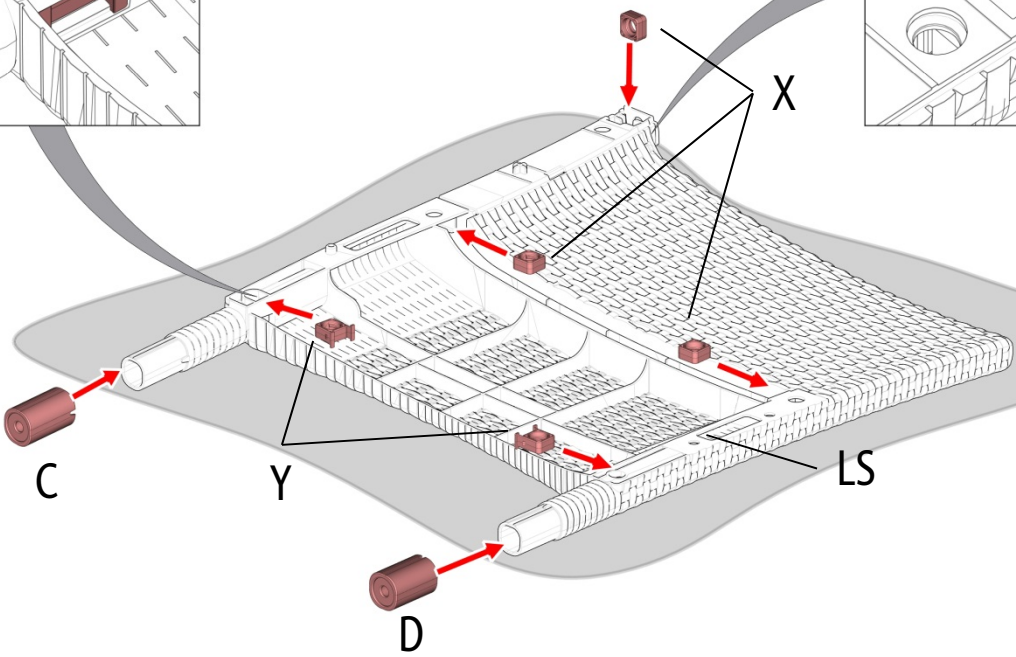
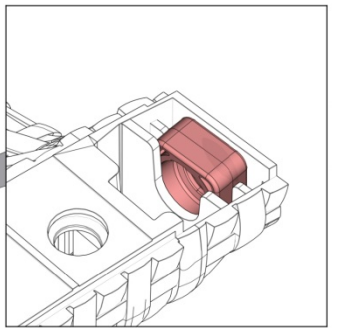
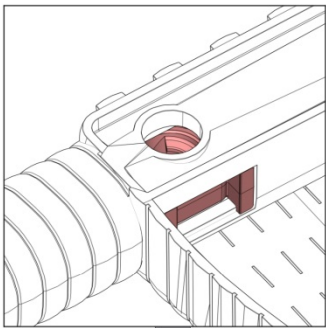


S

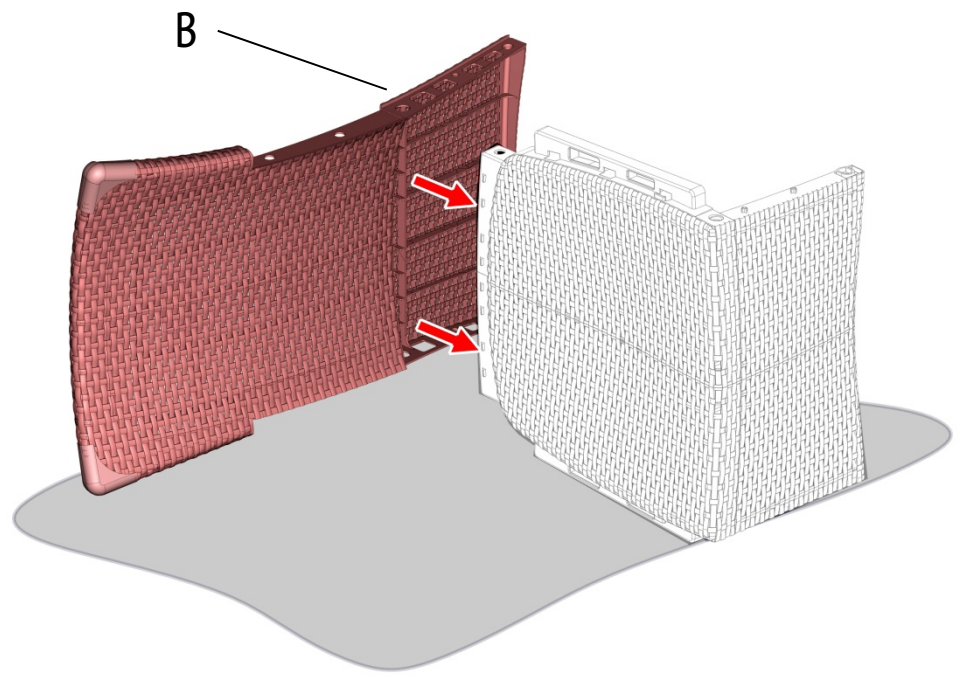
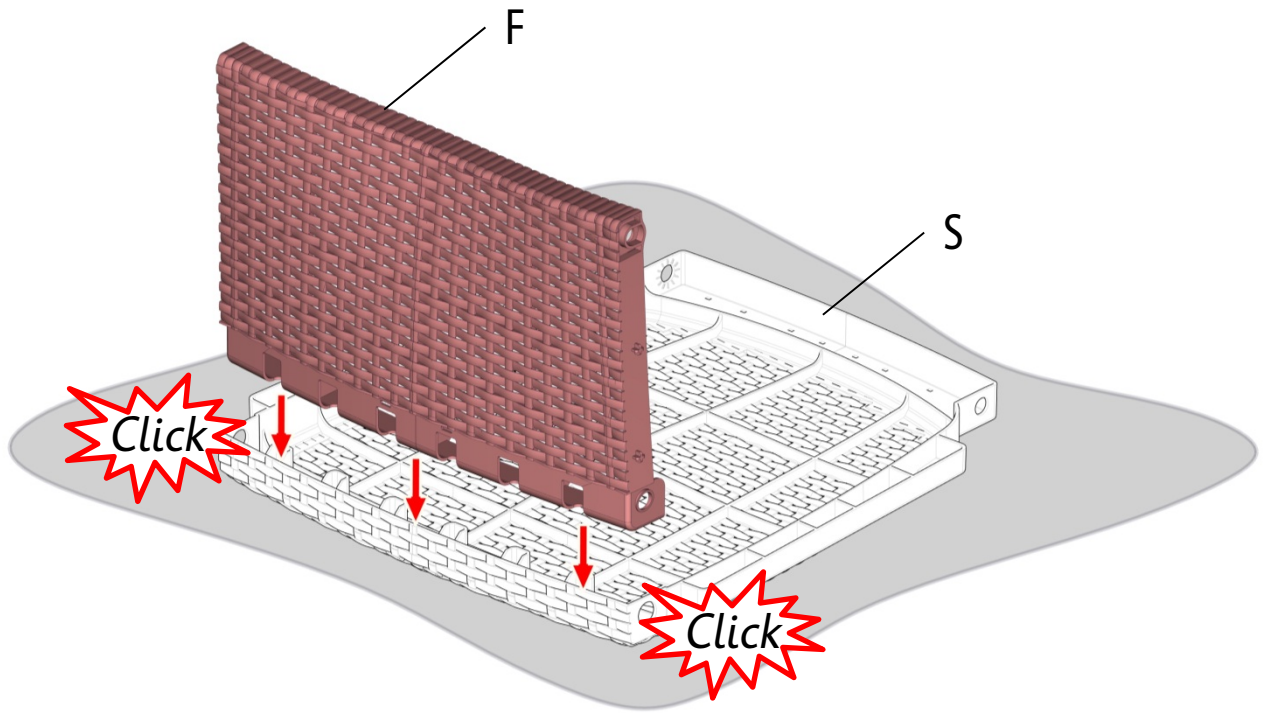


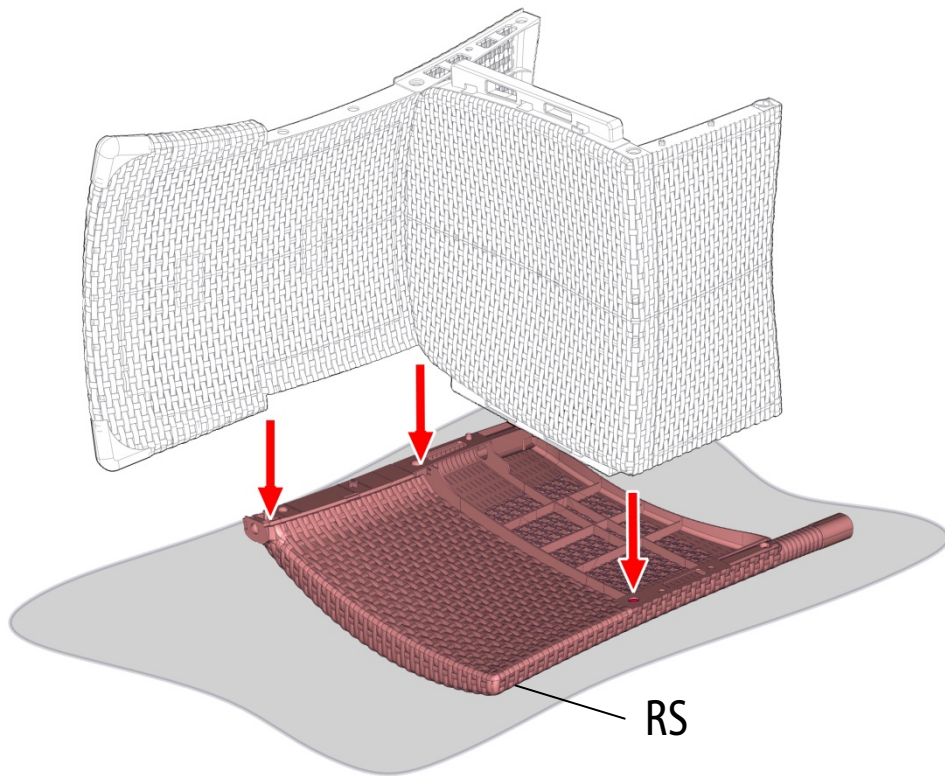


1

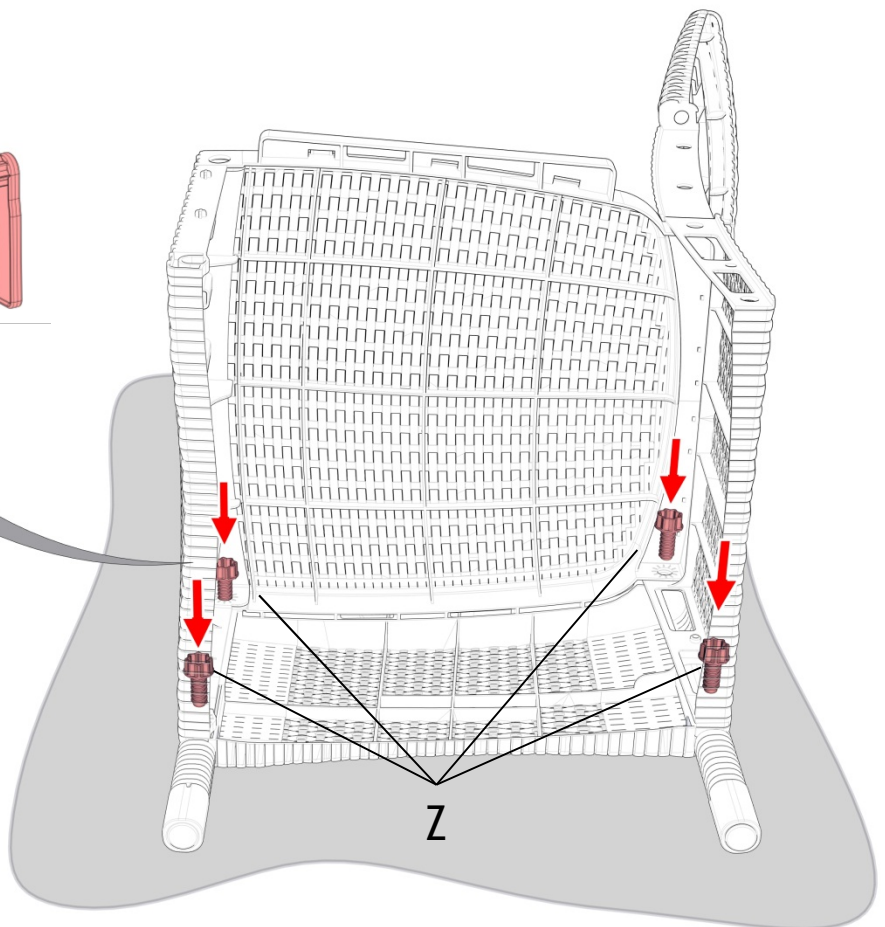
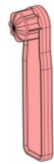
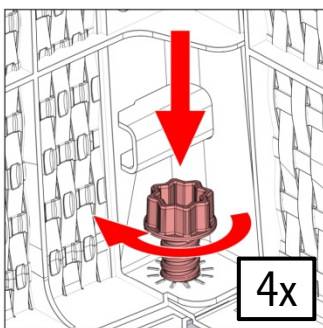


2

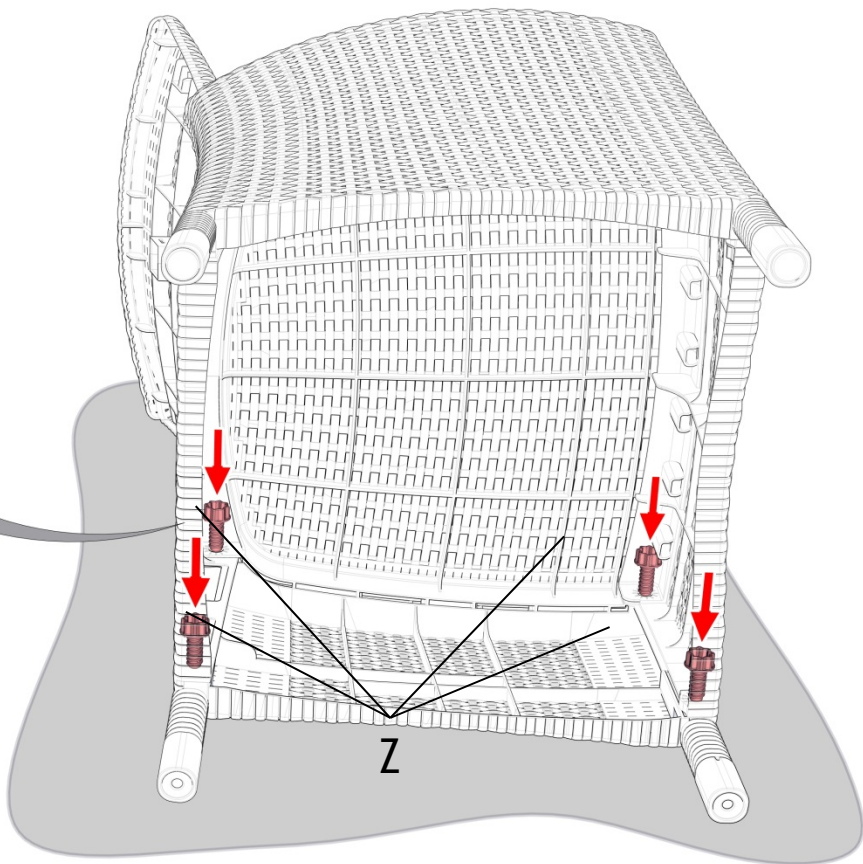
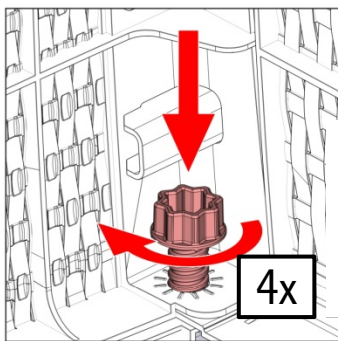
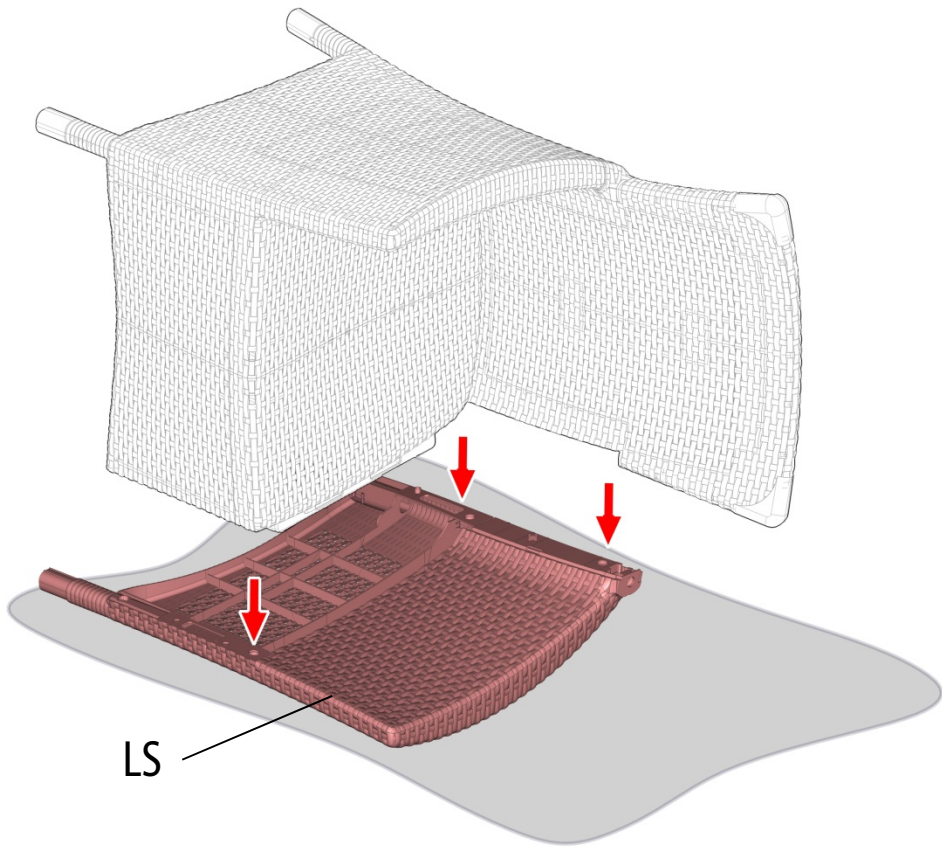


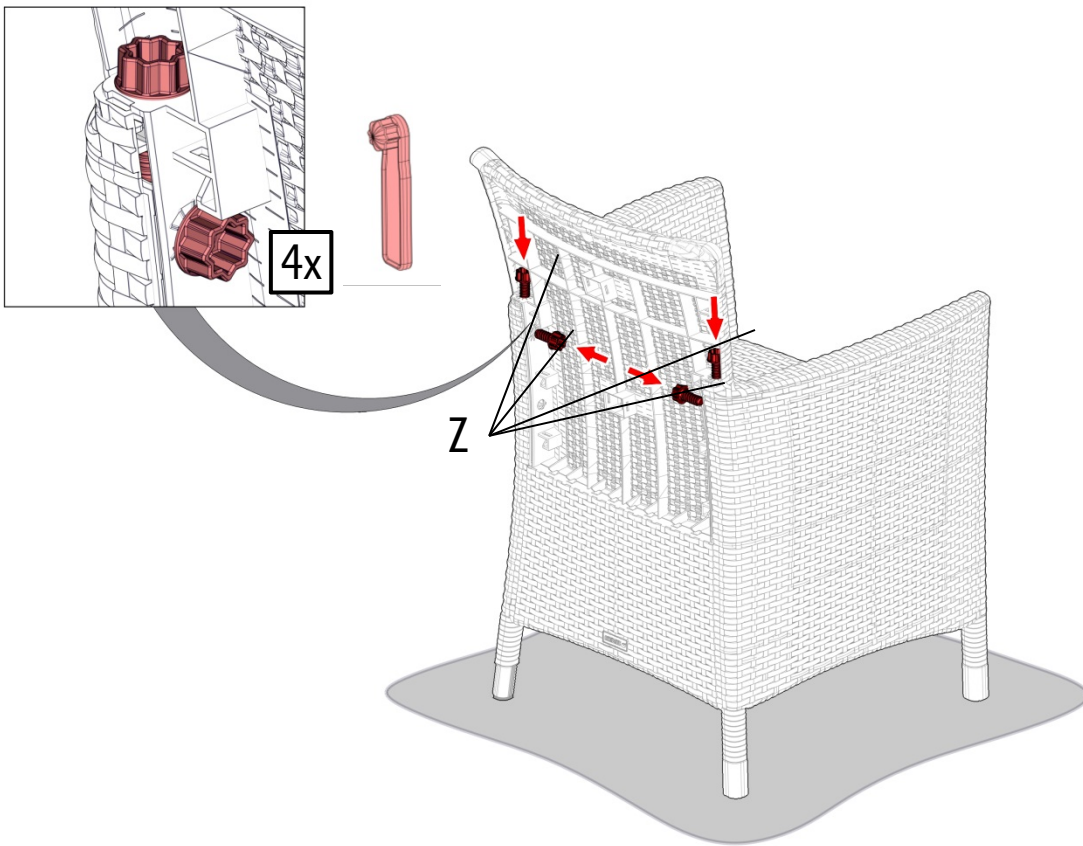


5

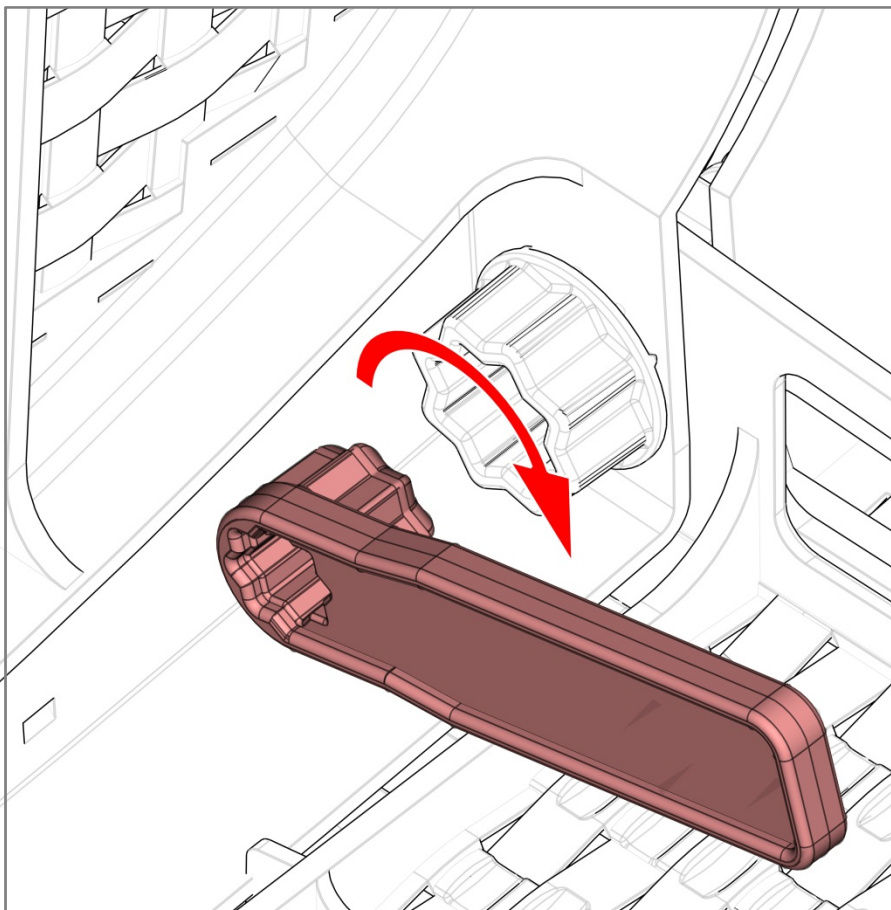


6





9

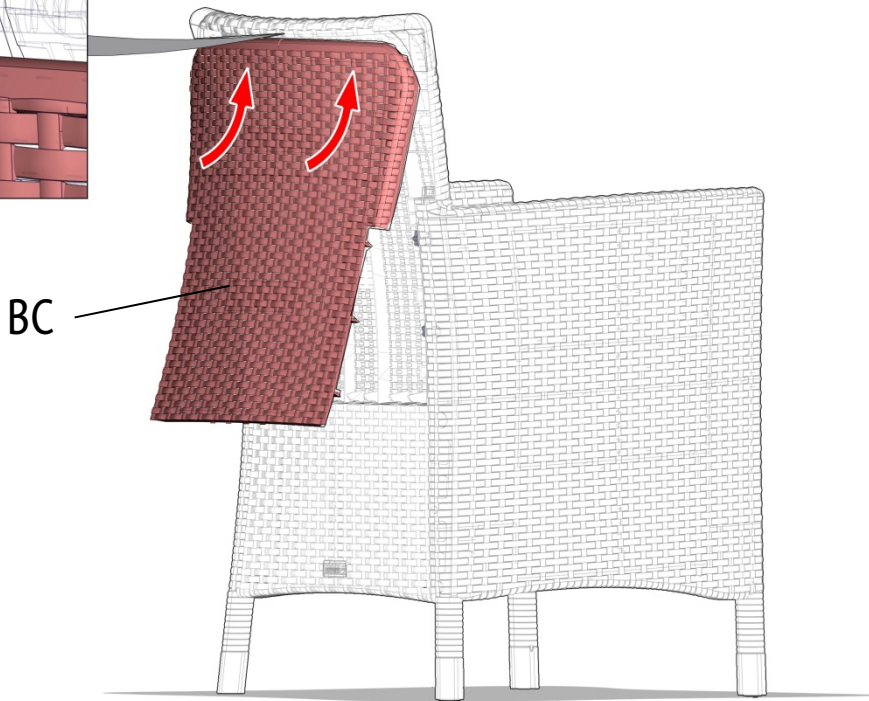
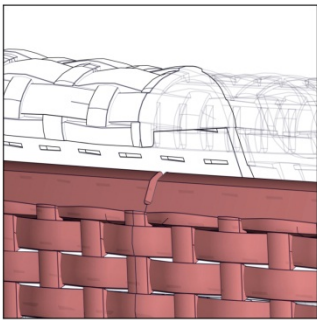
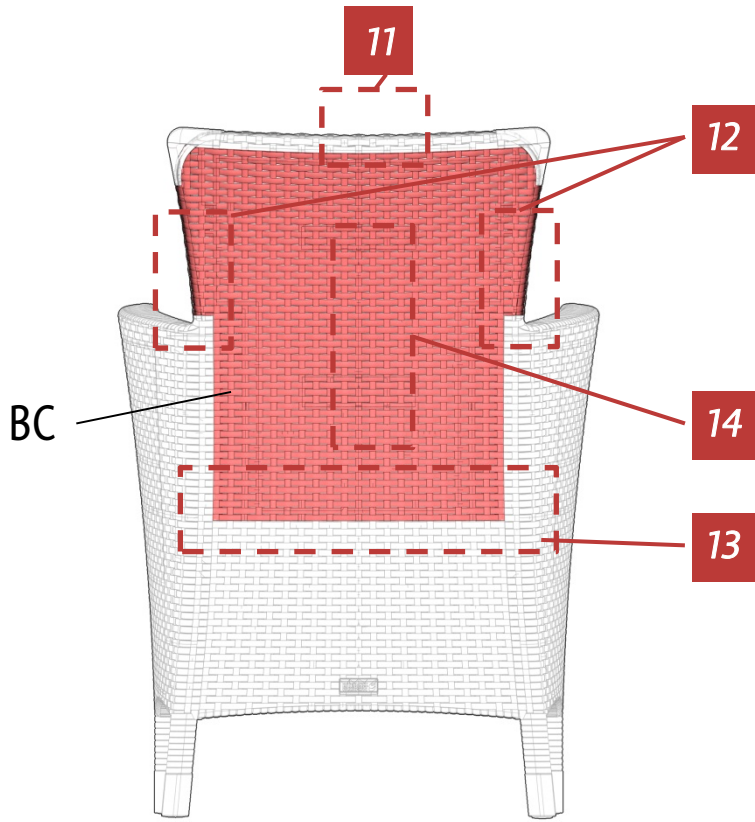


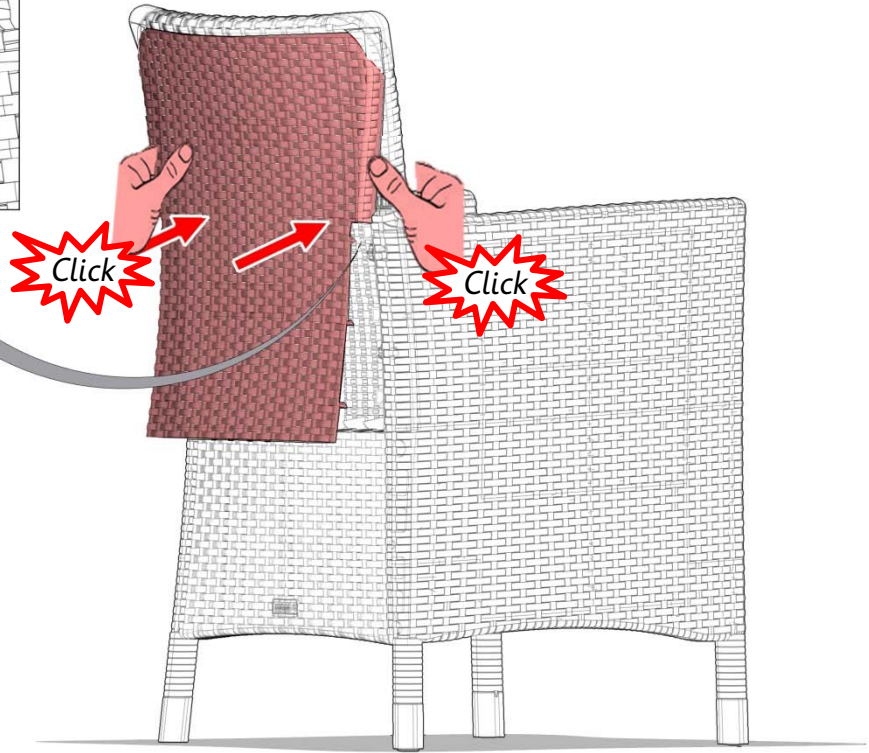
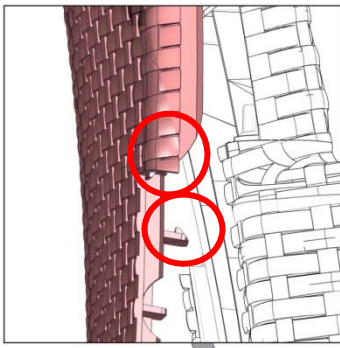

CHECK
12x

10

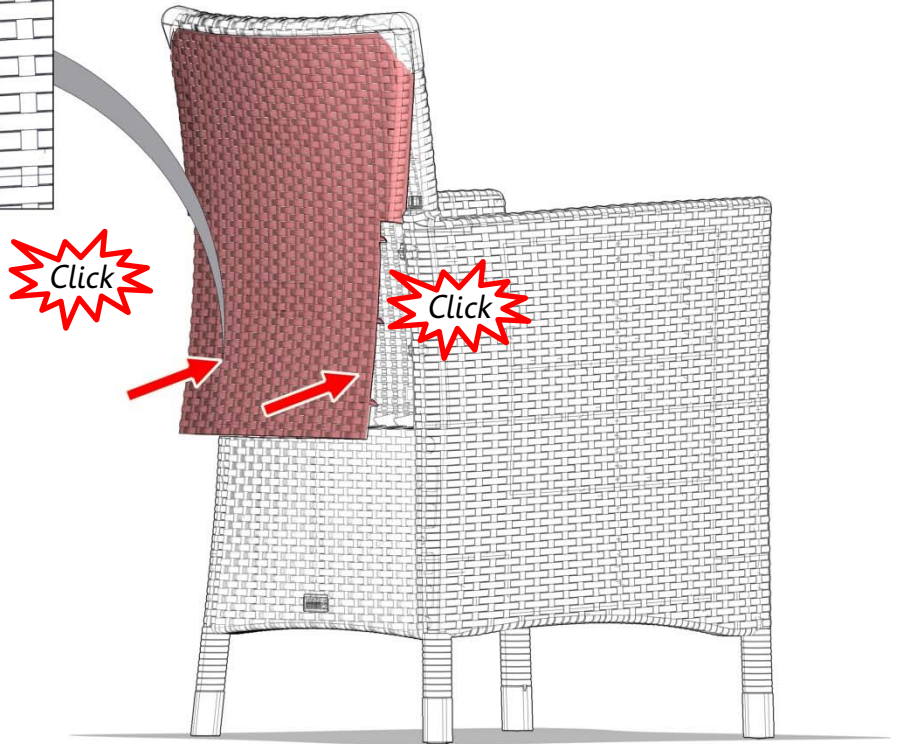
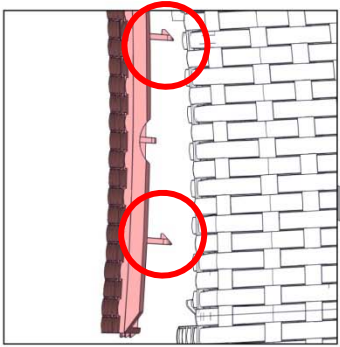


11 — 14





12



13

