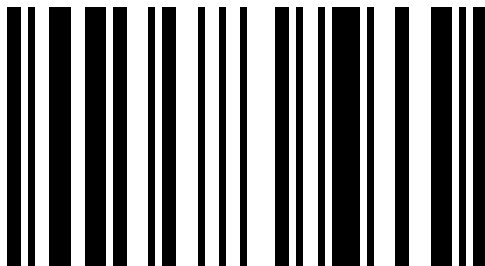
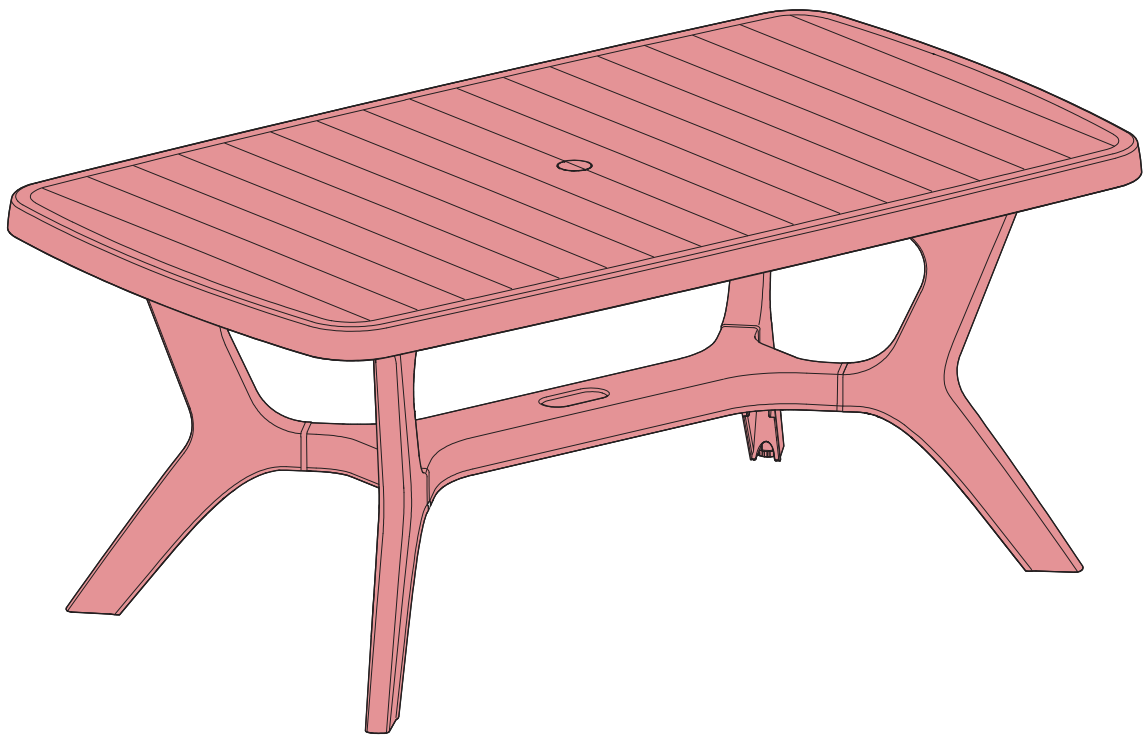


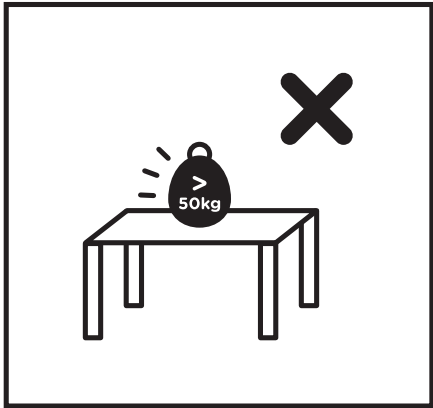
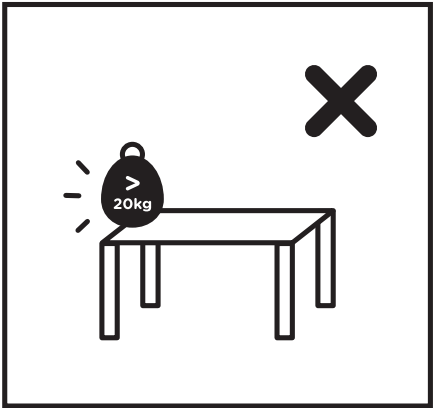
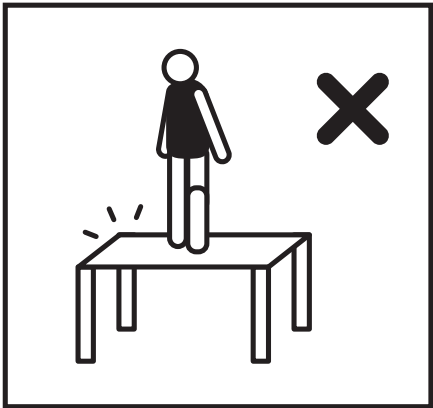
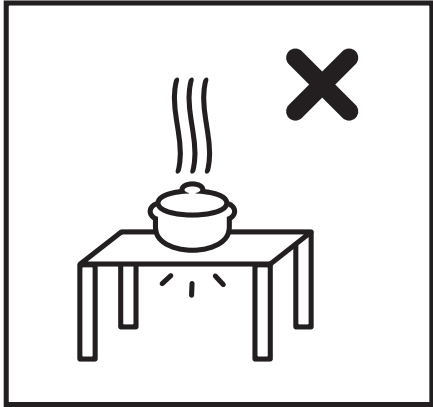
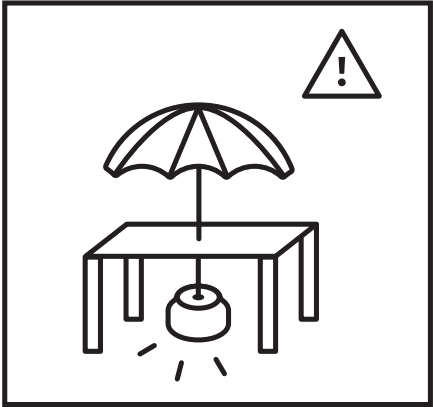
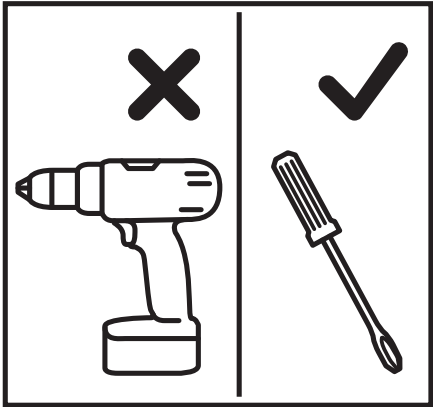
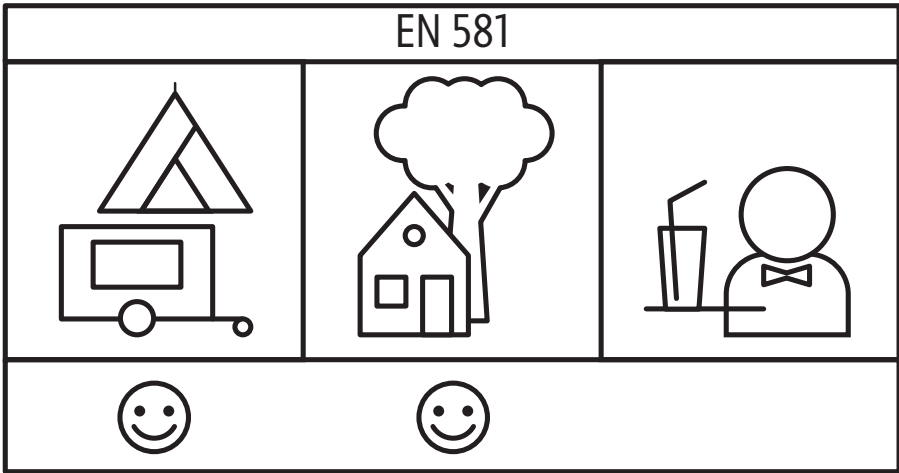
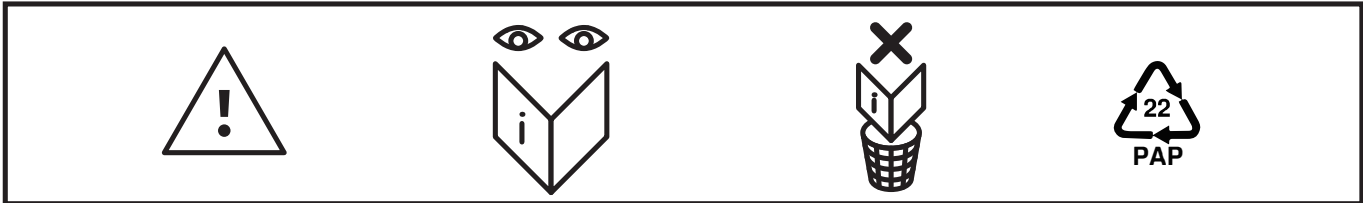
# BALTIMORE TABLE

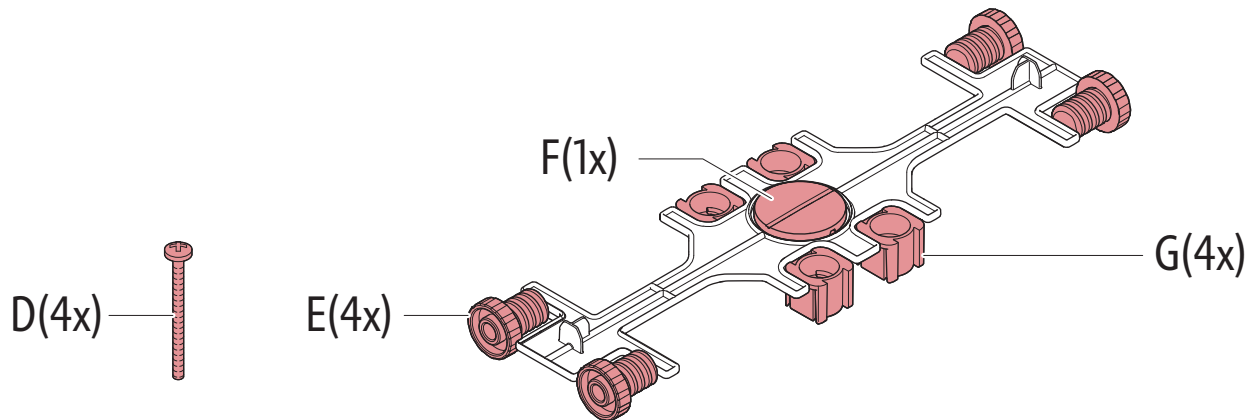
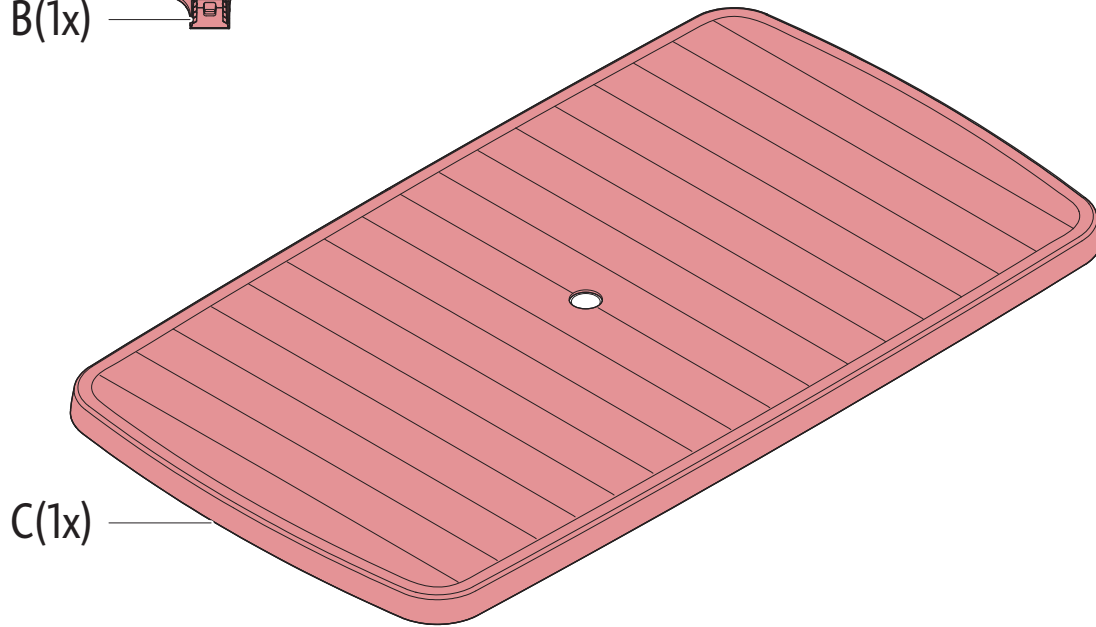
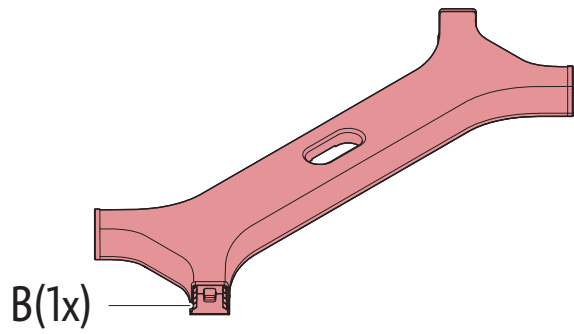
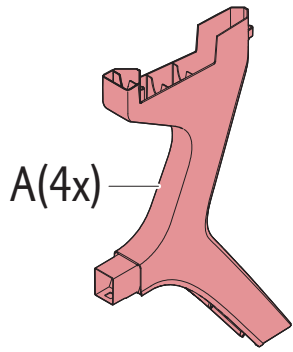
---

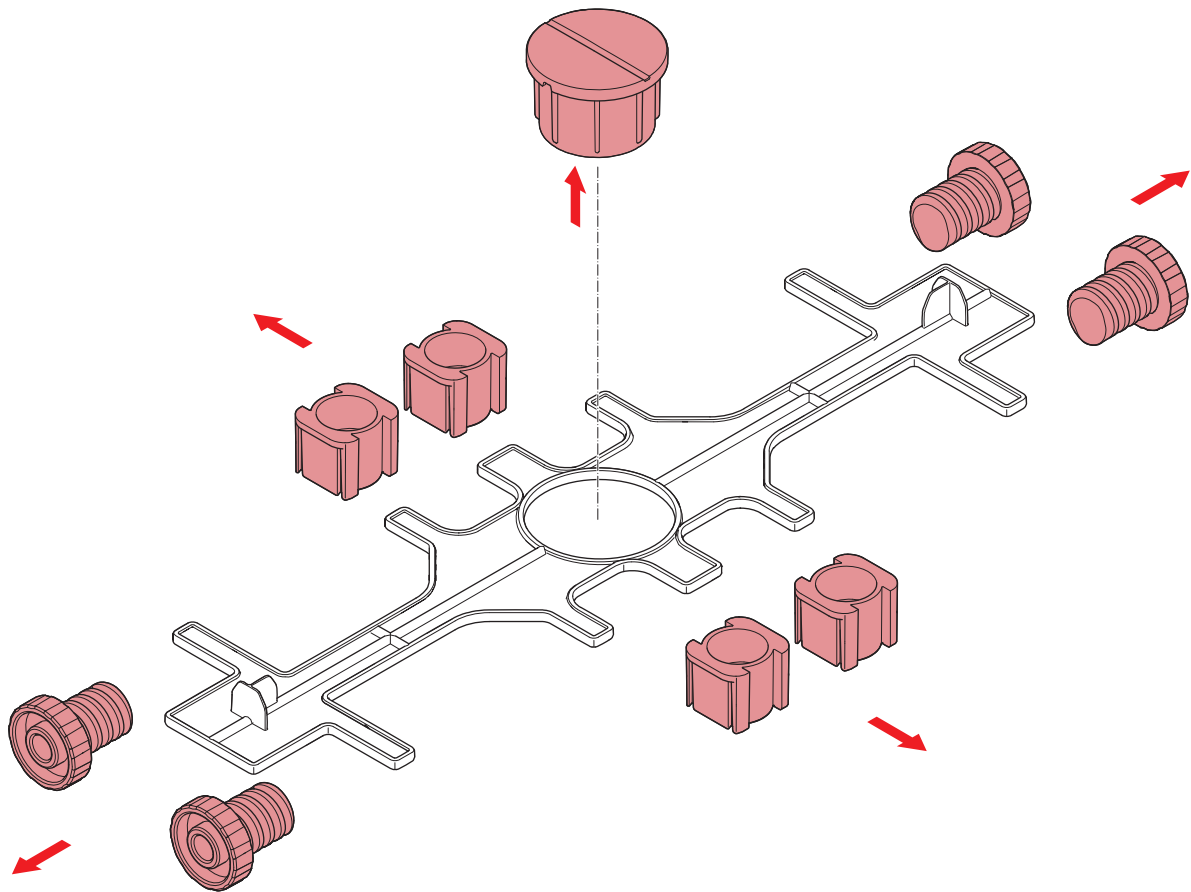


581173

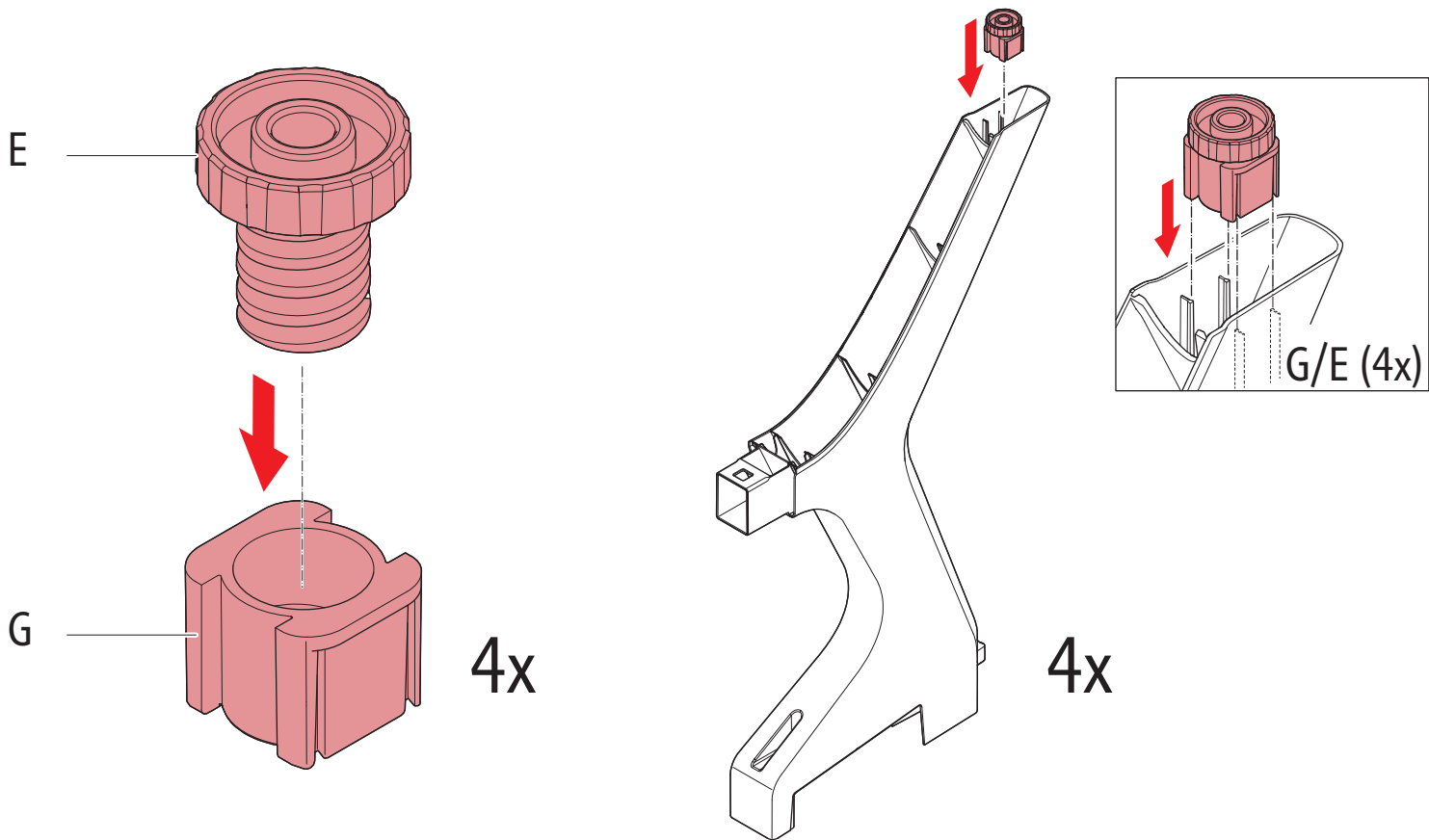
\*BALTIMORE TABLE V2.6 / 581173 / 442220





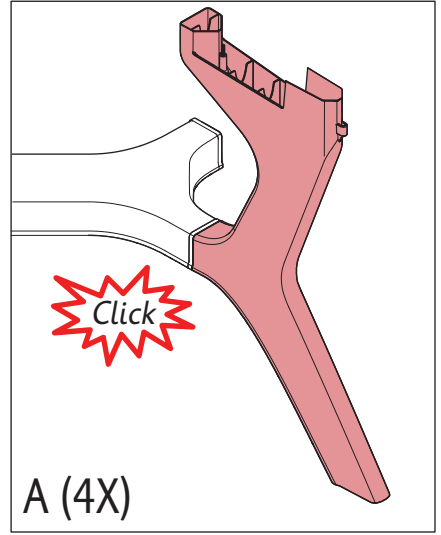
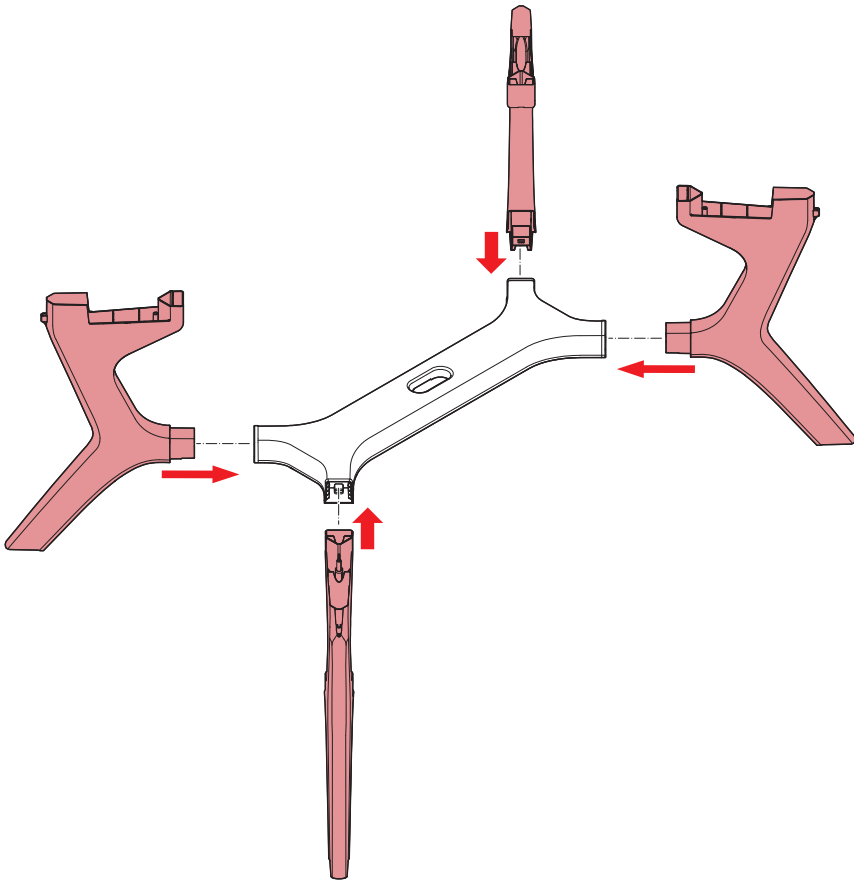


7

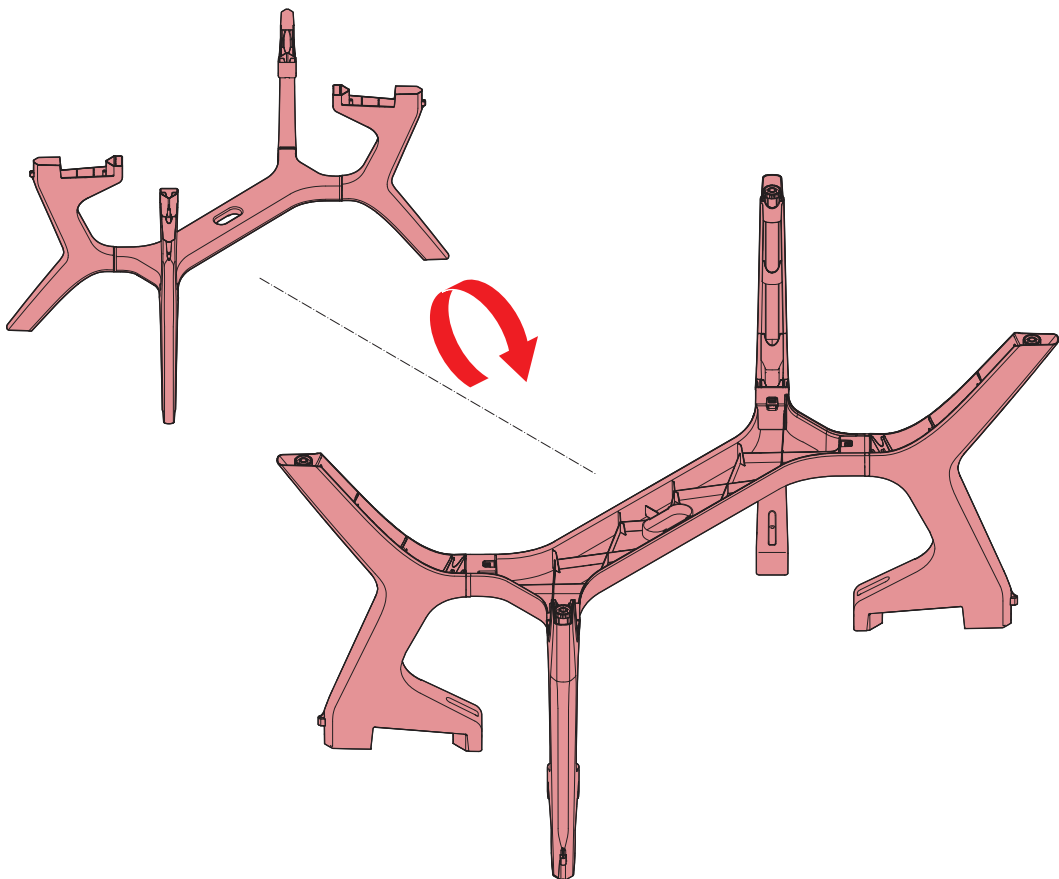


2

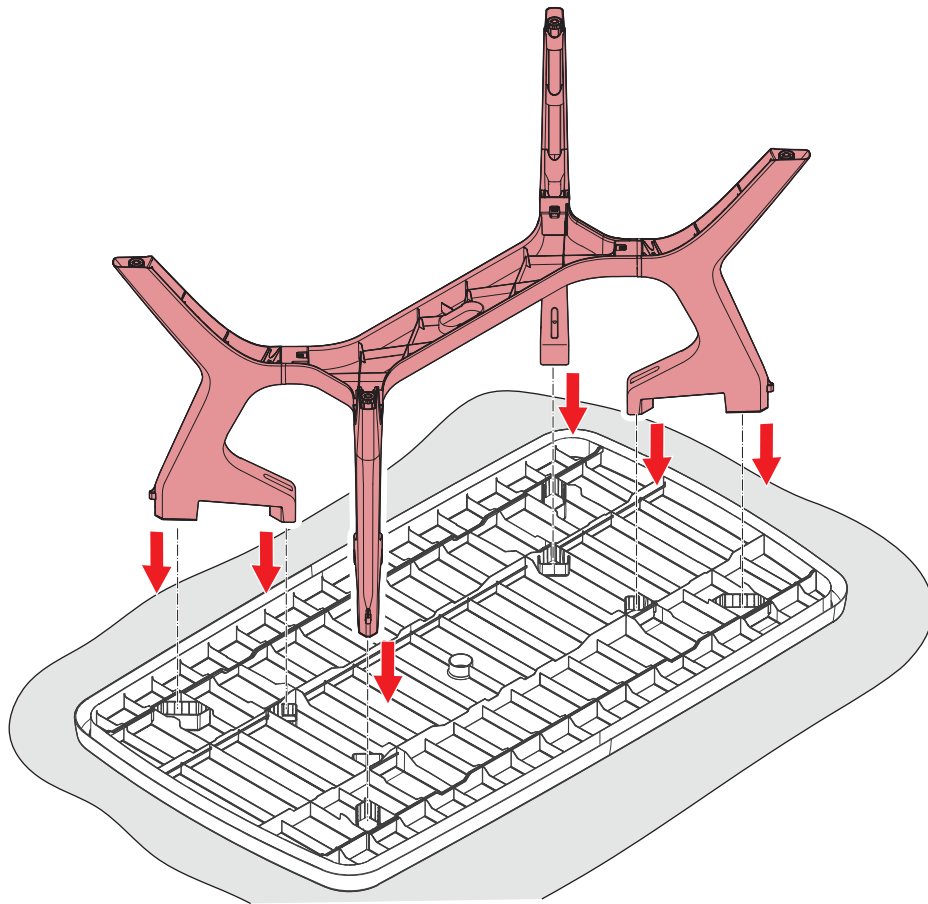
3



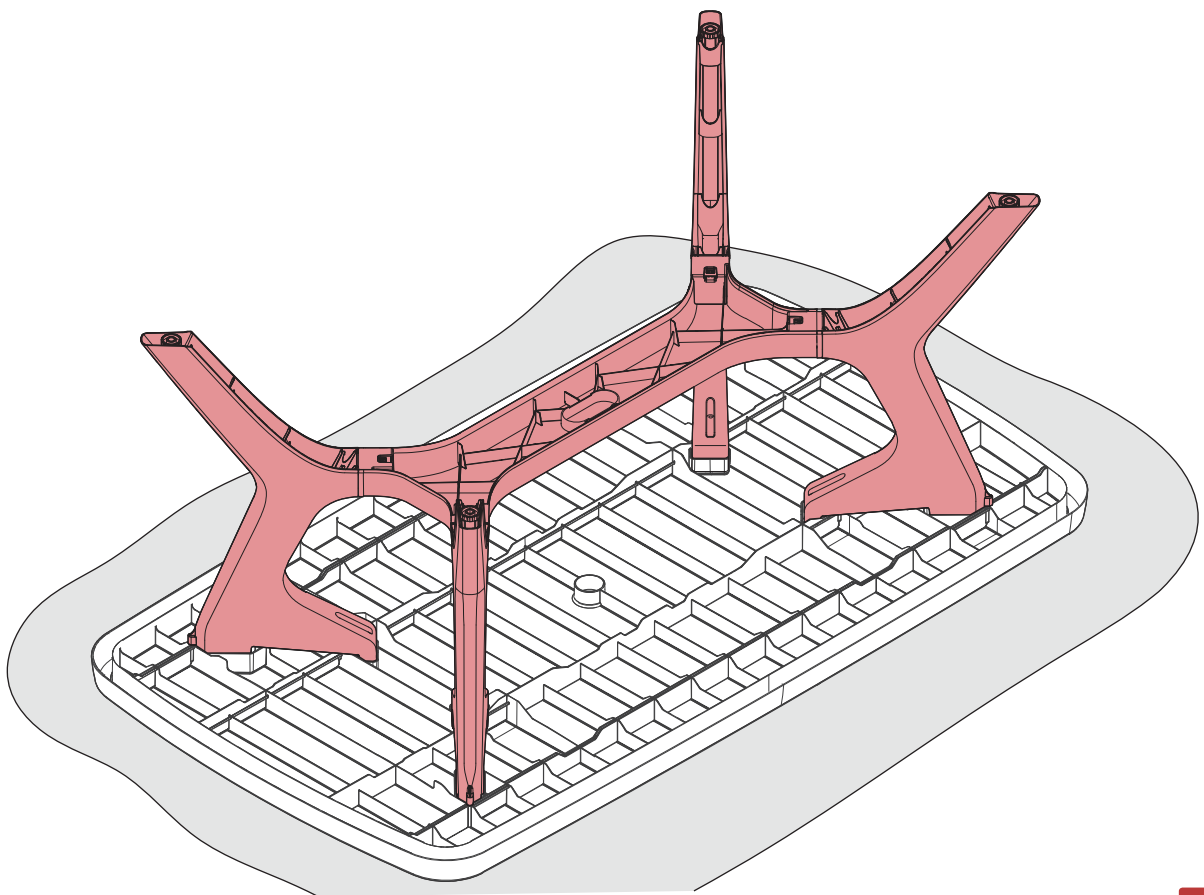
4



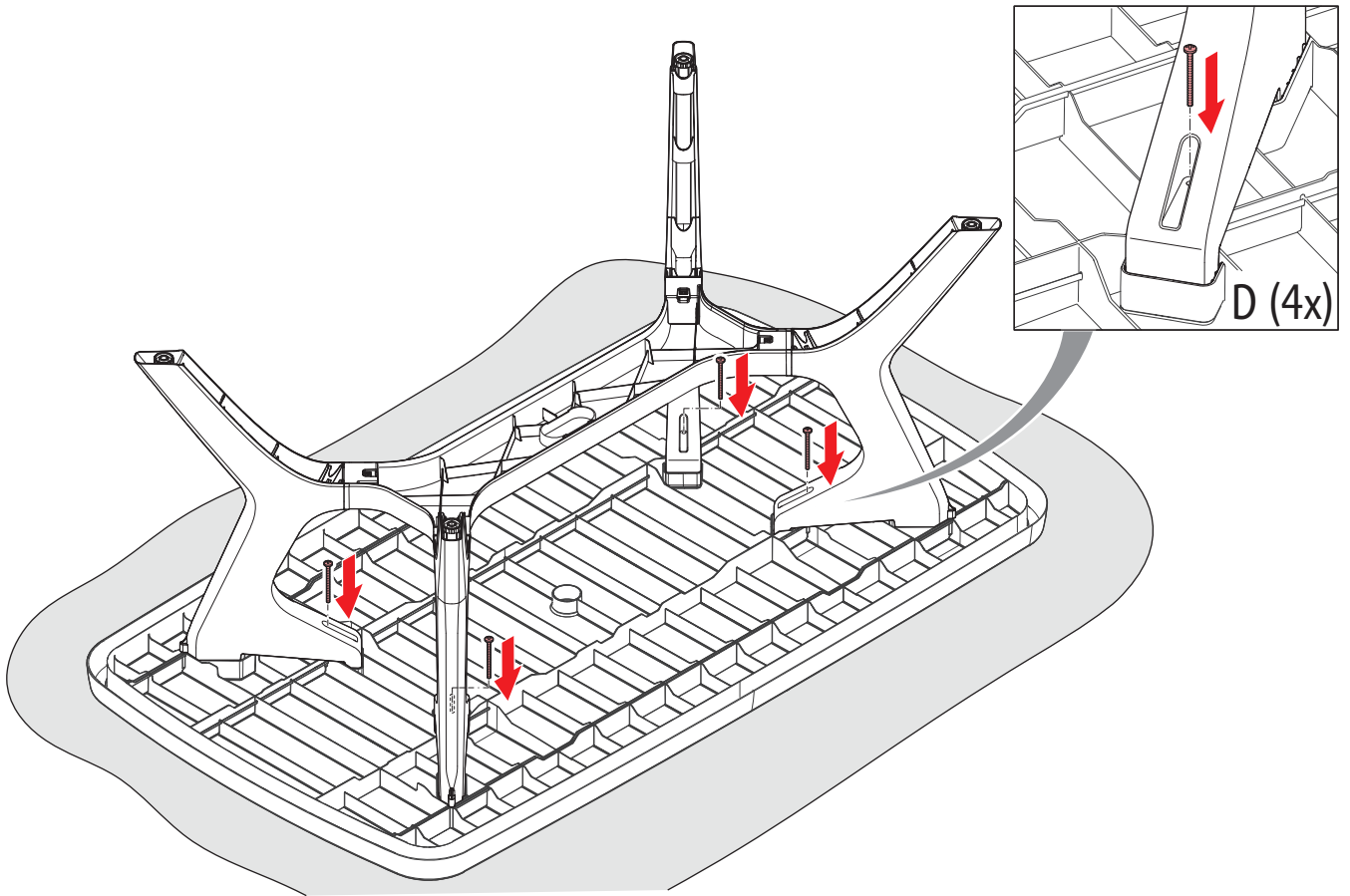
5



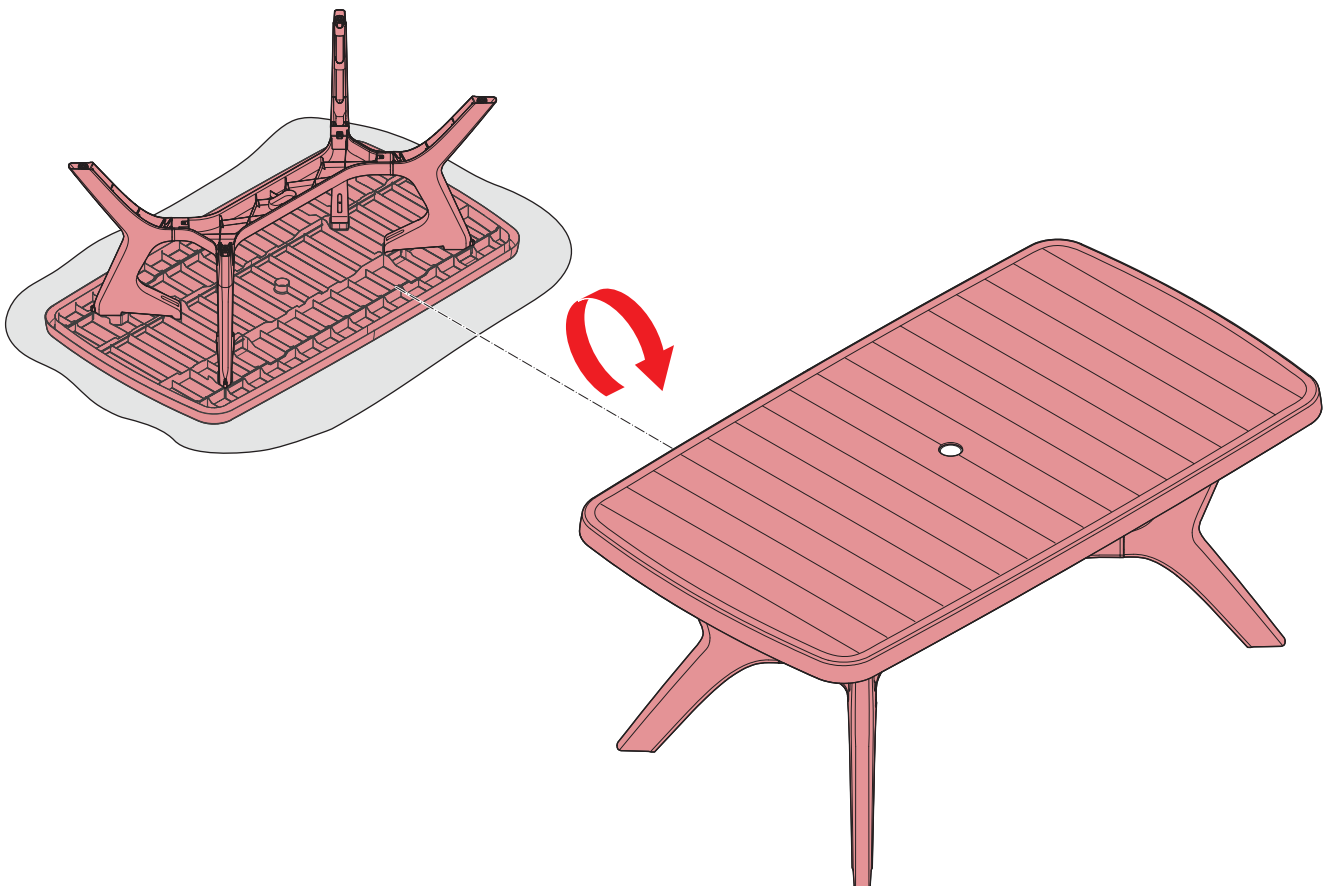
6



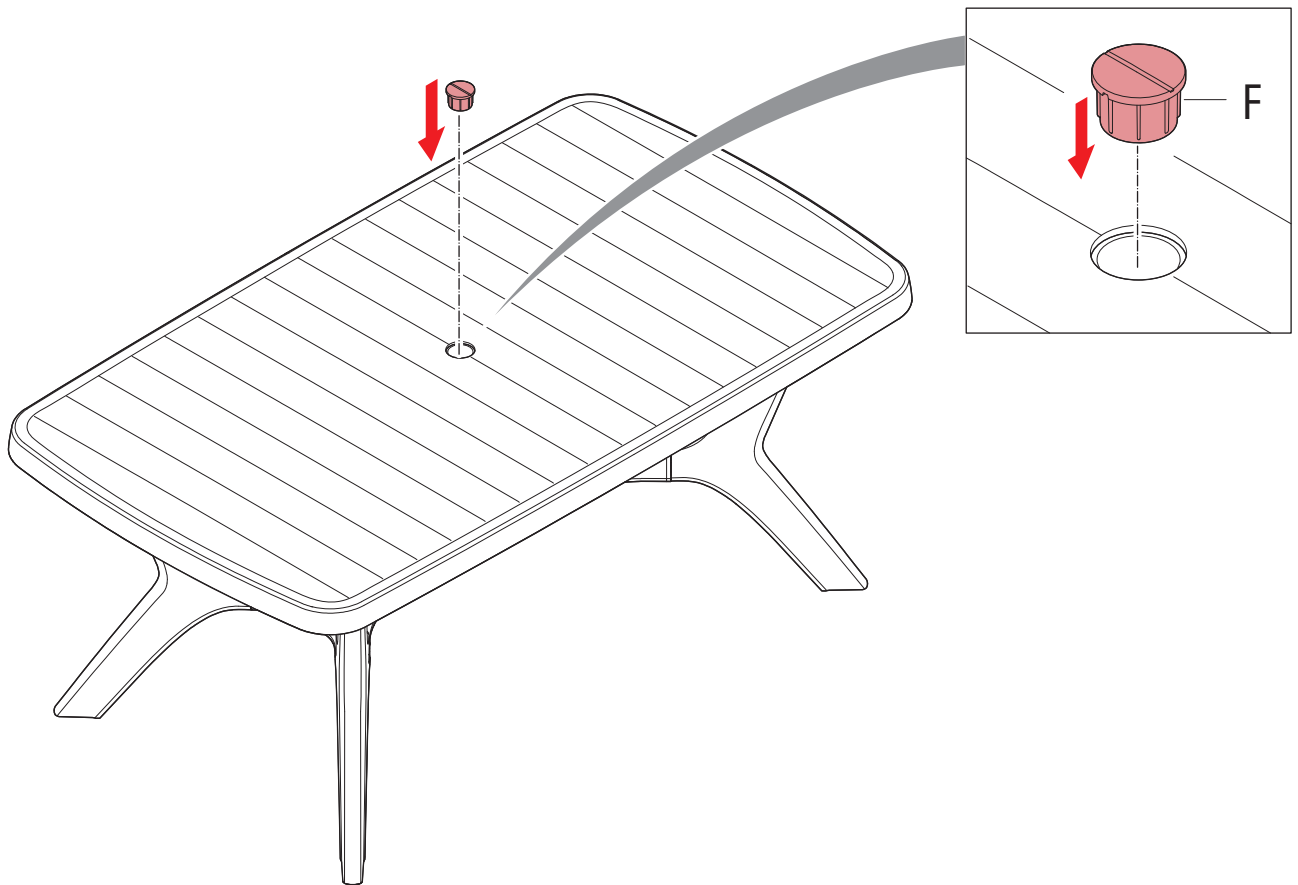
7



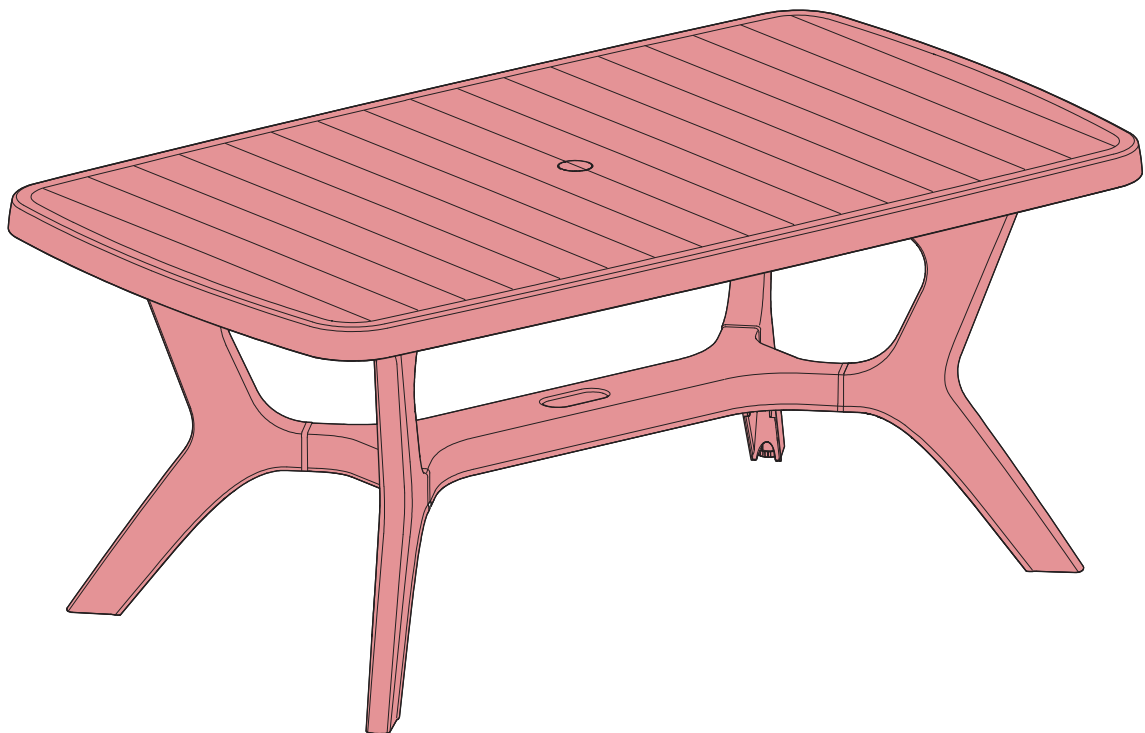
8



9



10



11